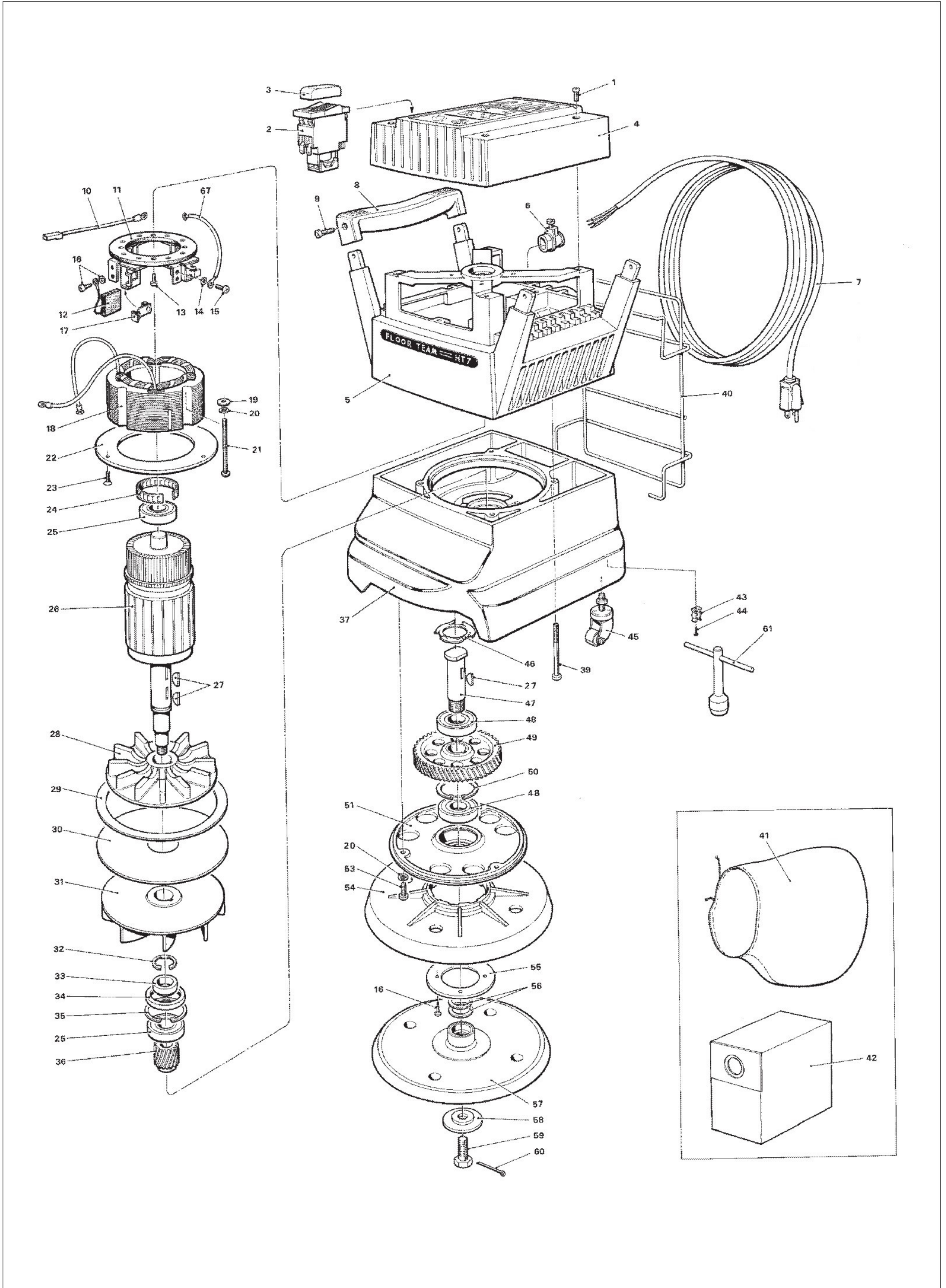


HIRETECH HT72 DISC FLOOR SANDER PARTS DRAWING (May 1992)



DISC FLOOR SANDER MODEL HT7-2

Ref.	Part #	Pack Qty.	Description	Ref.	Part #	Pack Qty.	Description
1	010010	4	Screw	61	010690	1	Wrench
2	011610	1	Switch 110/120 Volt (Bias Off)	67	010750	2	Brush Shunt
3	010040	1	Dust Cover Switch	68	010760	1	Carton Transit
4	010050	1	Cover Motor	69	011680	1	Owners Manual & Operating Instructions
5	010070	1	Housing Motor	70	011820	1	Owners Workshop Manual
6	010080	1	Strain Relief	80	011570	1	Nut Dust Cover
7	010100	1	Cable Main Assembly 115V North America	81	011490	1	Nut Switch
8	010140	2	Handles	82	011500	1	Plate Switch
9	010150	4	Screw Handle	83	011540	1	Bracket Switch
10	010160	1	Cable Switch Assembly	84	011480	1	Lead Ground
11	010170	1	Brush Block Assembly				
12	010180	4	Brush Motor				
13	000190	4	Screw				
14	010200	4	Washer				
15	010210	4	Screw				
16	010220	8	Screw/Washer				
17	010230	4	Brush Spring				
18	010240	1	Field 115V New				
19	010260	2	Washer Clamp				
20	010270	2	Washer Lock				
21	010280	2	Screw				
22	010290	1	Baffle				
23	010300	3	Screw				
25	010320	2	Bearing				
26	010330	1	Armature 115V New				
27	010350	3	Key				
28	010360	1	Fan Motor				
29	010370	1	Gasket				
30	010380	1	Plate Exhaust				
31	010390	1	Fan Intake				
32	010400	1	Ring Retainer				
33	010410	1	Spacer Bearing				
34	010420	1	Seal				
35	010430	1	Ring Retainer				
36	010440	1	Pinion				
37	010450	1	Housing Gear				
39	010470	4	Screw				
40	010480	1	Frame Bag Support				
41	010490	1	Bag Dust Cloth				
43	010510	2	Clip Wrench				
44	010520	2	Screw				
45	010530	2	Castor & Nut Castor Bearing 010530A				
46	010540	1	Spring Load*				
47	010550	1	Shaft Drive				
48	010560	2	Bearing				
49	010570	1	Gear Drive				
50	010580	1	Ring Retaining				
51	010590	1	Cover Gear				
52	010600	1	Spring Load				
53	010610	3	Screw				
54	010620	1	Guard Disc				
55	010630	1	Retainer				
56	010640	4	Shim				
57	010650	1	Sanding Pad				
58	010660	1	Washer Clamp				
59	010670	1	Bolt Clamp				
60	010680	1	Pin Cotter				

Special Tools

011720	1	Castor Adjuster Tool
011740	1	Pinion Fitting/Removal Tool

Consumables

42	011270	1	Grease Edger
	012223	2	Disposable Paper Dust Bag (07038)

} 010720 KIT