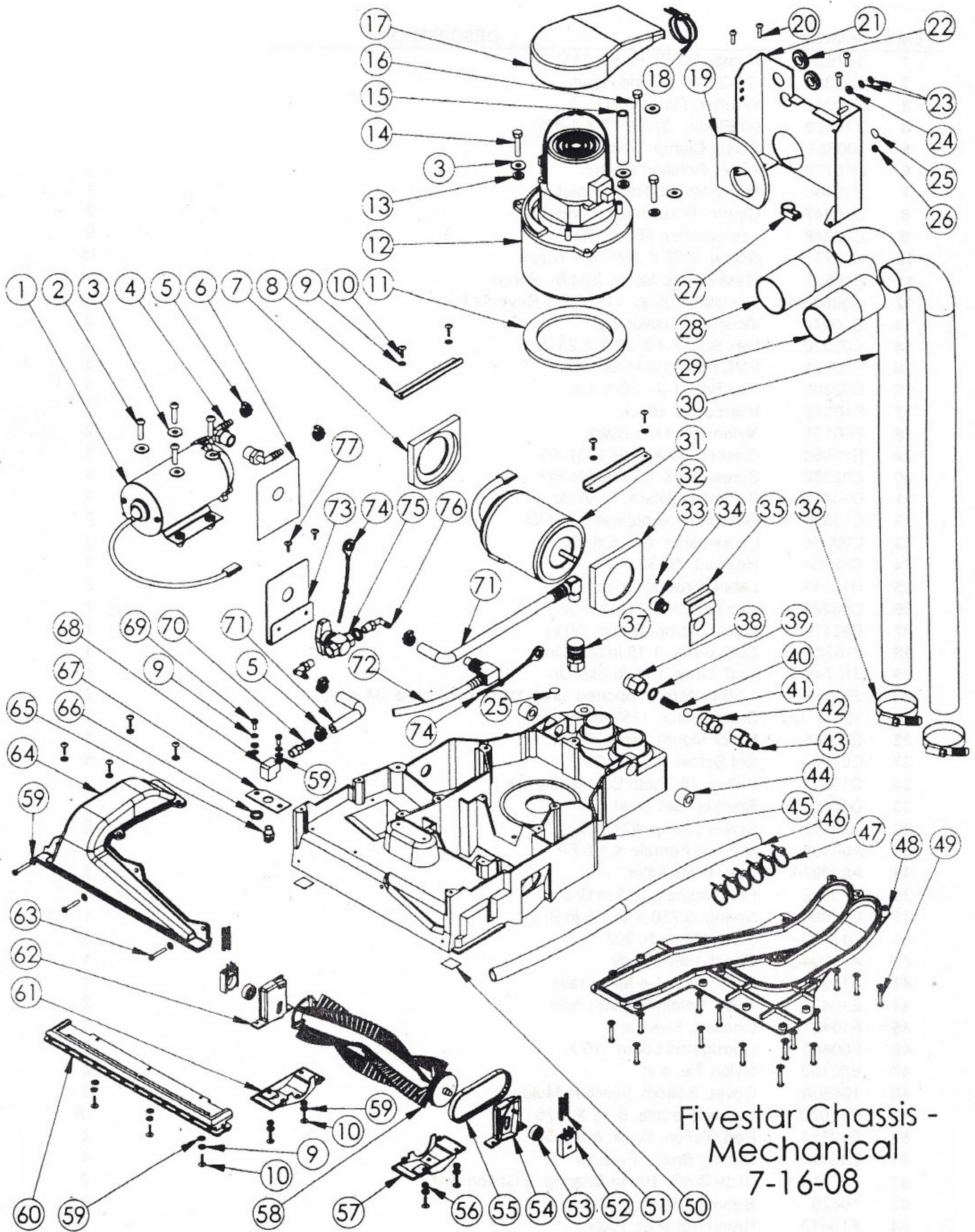


Fivestar Housing  
 Bucket & Lid  
 7-2-08

## HOUSING PARTS LIST

ITEM #	PART #	DESCRIPTION	QTY
1	F10484	Tank	1
2	E10771	Gasket, Bucket, .375 X 33	1
3	D10452	Assy., Bail Handle	1
4	10490A	Assy., Bladder, Fivestar SLDPR	1
5	E10533	Gasket, Dome, (S3), 5S	1
6	H10565	Label, Keep Filter Screens	1
7	C02238-38	Screw, 6-32 X .375, SS	2
8	D10761	Deflector Plate, Black	1
9	C00324-38	Screw, 6-32 X .375 RH, SS	7
10	D10768	Deflector Plate, Black	1
11	10454-1A	Dome, Fivestar, Standard	1
12	E10732	Tube, Latex, .25 in ID	2
13	H10574	Label, Patents	1
14	H10843	Label, Warning, Keep Inside	1
15	10780A	Assembly, Hose, Pump to Dome	1
16	C10503	Washer, Delrin, .375 ID	2
17	E10504	Gasket, Washer, Dome, Hose	2
18	D10524	Shaft, Dome Hinge, Fivestar	1
19	D10767	Filter, Airflow, 1.50 in	1
20	10543-1A	Assy., Hose W/ Filter, Chk Valve	1
21	D10760	Plate, Divider, Bucket, Front, Epoxy Grey	1
22	D10762	Plate, Divider, Bucket, Rear, Epoxy Grey	1
23	H10572	Label, Anti-Foam Solution	1
24	C00307-12	Screw, 8-32 X .5 Flathead	4
25	H10740	Label, Cleaning Solution	1
26	H10571	Label, Fill Level, Tank	1
27	F11882	Motor Housing	1
28	D10486-1	Disk, Handle Locking, Left	1
29	C90010	Screw, 8-32 X 1 in, FH	6
30	D10485-1	Disk, Handle Locking, Right	1
31	C02320	Locknut, 8-32, Nylon, SS	6
32	D10508	Tube, Handle, Fivestar	1
33	C02305	Cap Nut, .5 in Push-on	2
34	K010142	Plug, 2.0 in, Black	2
35	B10734	Strain Relief, Handle	1
36	C90006	Screw, 6-32 X .75 in, Phillips	2
37	C00258-2	Lockwasher, #6 Ext, Star	2
38	D10618	Plate, Strain Relief, Black	2
39	E10723	Gasket, Strain Relief, 5S	2
40	D10523-3	Axle, Wheel, Fivestar	1
41	G10458	Wheel, 7 in, .375 in Bore, Grey	2
42	C00252	Washer, .375 in, Flat	1
43	C11558	Locknut, .375 - 16, Nylon	1
44	G10458-2	Hub Cap	2
45	C10546	Washer, Flat, 1 X .048 in	2
46	H10729	Label, Motor Housing, Right	1
47	H10727	Label, Motor Housing, Front	1
48	C10757	Washer, Cushioning, 80 Shore	2
49	H10728-SP	Label, Motor Housing, Left	1
50	H10577	Label, Caution, Risk Of	1
51	C90009	Washer, Flat, SS, .687 in	2
52	C90007	Screw, 10-32 X .627 Phillips	2
53	K10510	Plug, 1 in Round, Snap In	2
54	C02305-1	Cap Nut, .375, Push On	1
55	C10725	Jacknut, 6-32, Aluminum	2

CHASSIS MECHANICAL PARTS



Fivestar Chassis -  
Mechanical  
7-16-08

## CHASSIS- MECHANICAL PARTS LIST

ITEM #	PART #	DESCRIPTION	QTY
1	10763A	Pump, 45PSI, Flojet, 115V 5S	1
2	C02308	.25-20 X 1 Round Head	4
3	C00233	Washer, Flat, .25 in	8
4	A10578	90 Elbow, .375 NPT X 1-4B	2
5	J00651	Screw Clamp, .25 to .625	5
6	H10778	Label, Solution Contro	1
7	E10446	Motor Mount, Rear, Flojet	1
8	D10447	Clamp, Brushmotor, Fivestar	2
9	C02248	Lockwasher, #8 Int. Star	9
10	C10737	Screw, 8-32 X .625, SS Truss	15
11	E10521	Gasket, Vac Motor, 20 LB., Poron	1
12	G00520-1L	Vacuum, 106 in, 115 V, 5.7 Reverse Fan	1
13	C10674	Washer, Cushioning	3
14	C02310	Hex Bolt, 1-4 X 20 X 1.25 in	2
15	K10691	PVC Pipe, 1-4 in SCH 80	1
16	C02306	Hex Bolt, 1-4 - 20 X 4 in	1
17	F10542	Intercooler, Black	1
18	B00191	Nylon Tie, 11 in Black	2
19	E10650	Gasket, Backplate, (S3), 5S	1
20	C02288	Screw, #8 X .63 Plastite PH	4
21	D10475	Backplate, Black, Fivestar	1
22	E10520	Grommet, Neoprene, 1 in OD	2
23	C00256	Lockwasher, #10 Ext. Star	2
24	C00264	Hex Nut, 10-32 SS	1
25	H10911	Label, Grounding Mark	2
26	C00280	Hex Nut, 8-32 Black Zinc	1
27	B03176	Cable Clamp, Nylon, .50 in	1
28	J10744-1	Cuff, Black, 1.75 in Slip-On	1
29	J10744	Cuff, Grey, 1.75 in Slip-On	1
30	J00618-1	1.50 in Wire Supported Grey, Wire Reinforced, 34 in ea	2
31	10442-1A	Brush Motor, 115V-60Hz, 5S	1
32	E10445	Motor Mount, Front, Flojet	1
33	C02260	Set Screw, 8-32 X .25	1
34	D10437	Pulley, 16 Tooth Diecast Zamak 3	1
35	D10665	Bracket, Belt Limit, 5S	1
36	J00650	Screw Clamp, #24, 1.25 in	2
37	A00109	QD, 1-8 Female X 1-8 FP	1
38	A00097A	Cap, Inline Filter	1
39	C13046	Flat Washer, .375 in Brass	1
40	D12094	Spring, 0.750 X 0.325 in Brass	1
41	D12093	Ball, .437 inch, 302	1
42	A00094C	Check Valve Body	1
43	A12091	QD Plug to 1-4 MP, Brass	1
44	E10470	Tube, Latex, Fivestar Axle	2
45	F10427-2	Chassis, Fivestar	1
46	F00463	Corrugated Loom, .15 in	1
47	B00190	Nylon Tie, 4 in	6
48	10430A	Cover, Bottom, Injection Molded	1
49	C11020	Screw, Plastite, 8-16 X .875	15
50	E10651	Pad, Teflon, Brush Assy, 5S	2
51	D10426	Spring, Brush, Fivestar	4
52	F10410-1	Slide Block, Brush Bearing, 3 Gallon Unit	2
53	10425	Bearing, Brush, 3 Gallon	2
54	F10413	Brush Retainer, Right	1
55	L10448	Belt, 3 Gallon, 7mm X 300mm	1