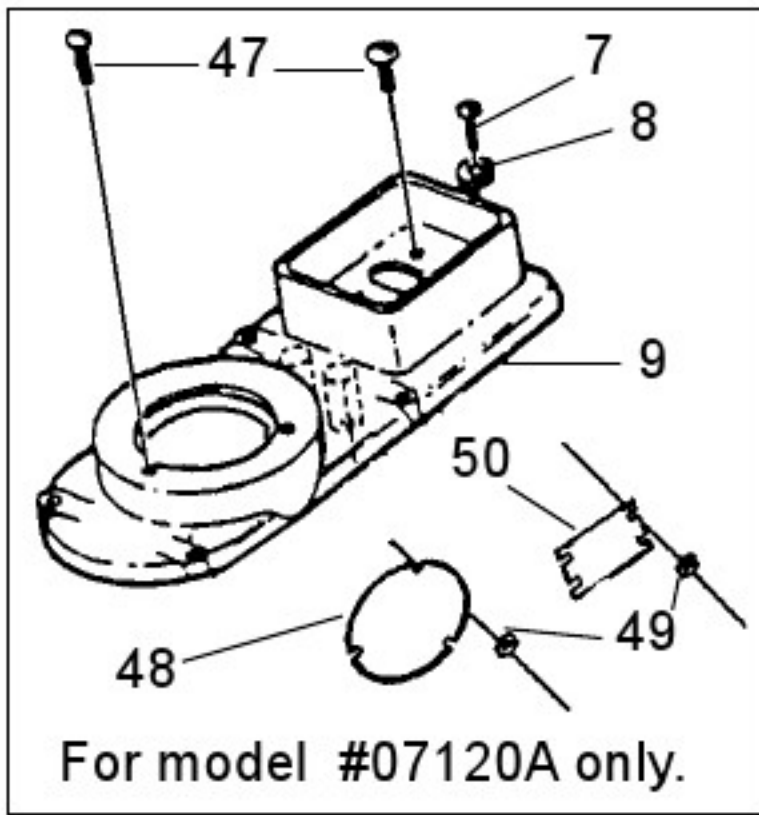
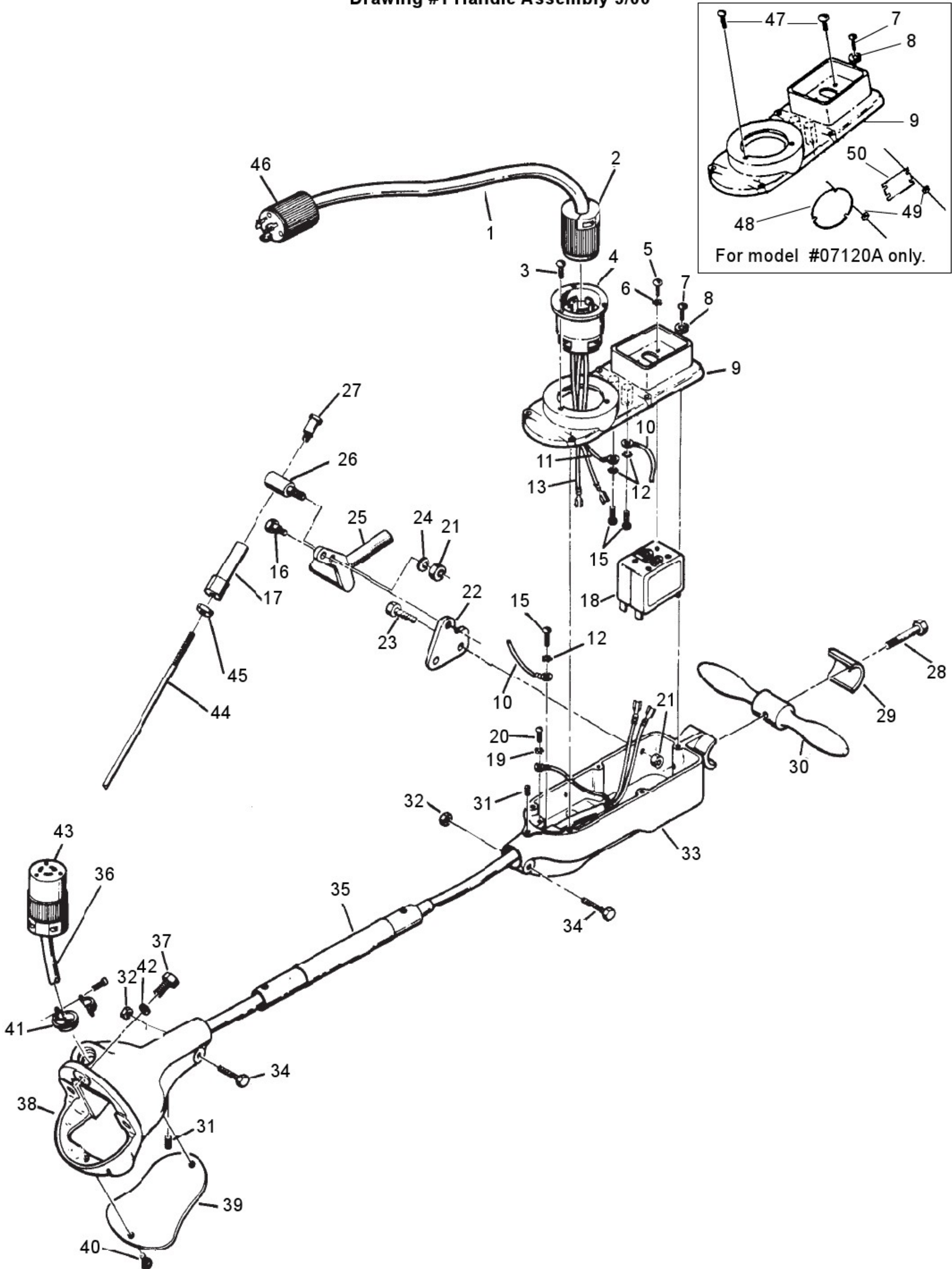

Clarke[®]

American Sanders

American
12
Parts Manual

**Clarke®
American Sanders**
Model American 12 Floor Sander
Drawing #1 Handle Assembly 5/06



Clarke
American Sanders
Model American 12 Floor Sander
Parts List #1 Handle Assembly 5/06

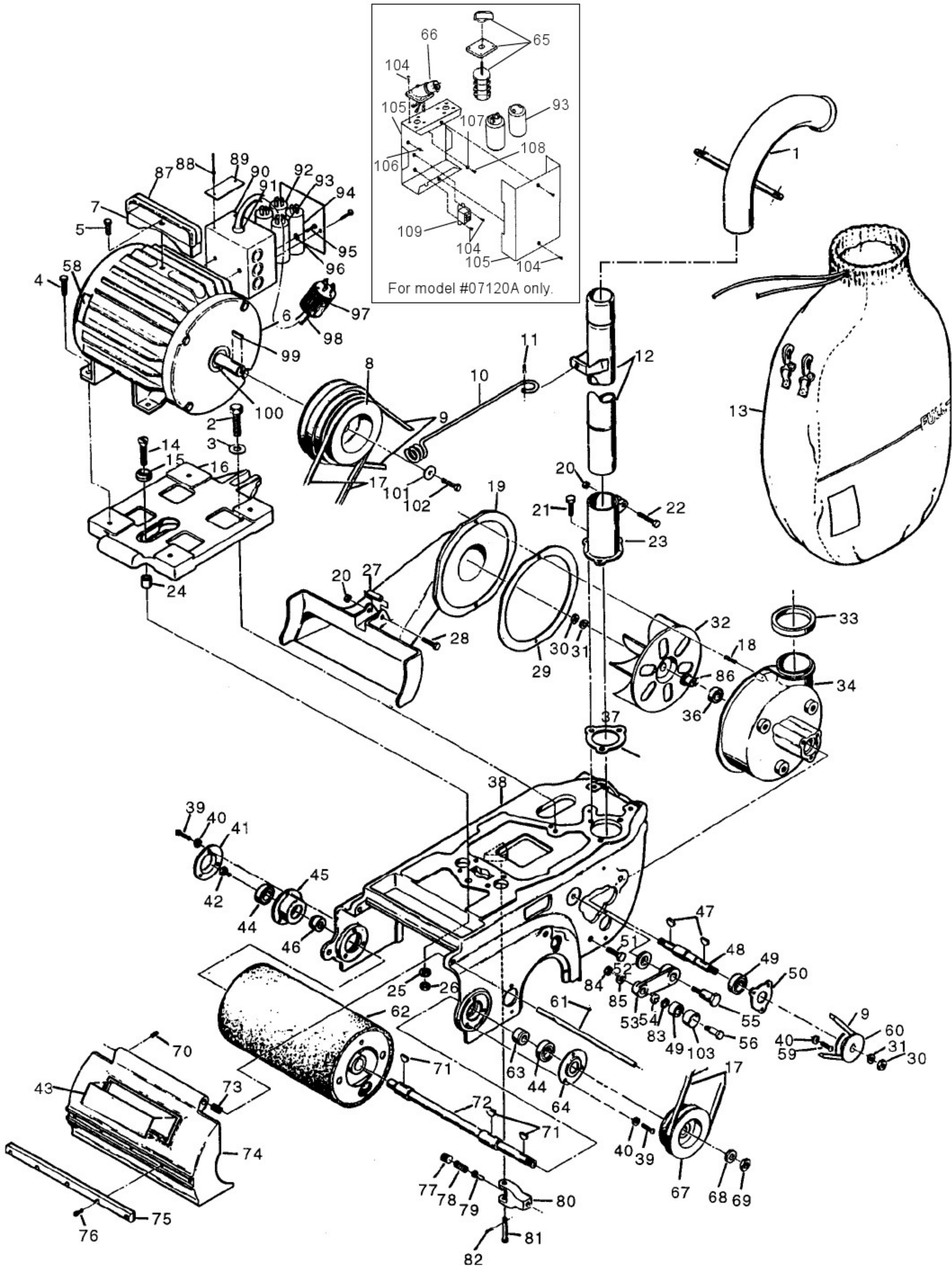
Ref No.	Part No	Description	Qty
1	Ref.	Cord Assembly	1
2	41706A	Connector (NEMA)	1
3	962065	Screw - 8-32 x ¼ Pn St Mach	3
4	43501A	Inlet - 20A, 250V	1
5	85313C	Screw - 6-32 x ¼ Pn St Mach	4
6	980607	Washer - #1106 Shakeproof	4
7	962794	Screw - 10-24 x 1 Pn St	5
8	980650	Washer - 3/16 Lock	5
9	22127C	Cover - Switch Box	1
10	48901A	Wire Ass'y - Green	1
11	48900A	Wire Assembly - Ground	1
12	980699	Washer - #1210 Shakeproof	3
13	49023A	Wire Assembly Black	2
15	962015	Screw - 10-24 x 3/8	3
16	80022A	Bolt ½ x 5/8	1
17	67129A	Adjuster Control Rod	1
18	41411A	Switch - Circuit Breaker	1
19	980603	Washer #8 Shakeproof	1
20	85833A	Screw, #10-32 Ground	1
21	920284	Nut ¼-20	2
22	66694A	Plate Control Lever	1
23	962481	Screw ¼-20 x 1¼	2
24	980646	Washer ¼	1
25	25602A	Lever Control	1
26	66151A	Pivot Control Rod	1
27	80021A	Bolt 3/8 x 5/8	1
28	85818A	Screw 5/16-18 x 2¼ Hex St	1
29	21904C	Clamp - Handle	1
30	64405A	Handle - Steering	1
31	86200A	Screw - 3/8-16 Set St	2
32	920110	Nut 5/16-18 ESNA	2
33	20704C	Box - Switch	1
34	85816A	Screw 5/16-18 x ¾ Hex St Flt Hd	2
35	66114C	Pipe - Handle	1
36	41917A	Cord - Interconnecting	1
37	962288	Screw 3/8-16 x 1" Hex St Cap	3
38	21102C	Bracket - Handle	1
39	62609A	Cover, Handle Bracket	1
40	962016	Screw 10-24 x ½ Pn St Mach	2
41	170637	Connector, Conduit	1
42	980638	Washer - 3/8 Diameter Lock	3
43	41707A	Connector	1
44	67144A	Rod Control	1
45	920148	Nut 3/8-16 Jam	1
46	45608A	Plug (NEMA)	1
47*	962727	Screw, 8-32 x ½	7
48*	40675A	Cover Inlet	1
49*	920065	Nut, #8	7
50*	40674A	Cover, Switch	1
[]#	56380639	Decal-Prop 65	1

[] = Not Shown

* NOTE: Part numbers 47, 48, 49 and 50 are for machine model #70120A only.

= Revised or new since last update

**Clarke®
American Sanders**
Model American 12 Floor Sander
Drawing #2 5/06



Clarke
American Sanders
Model American 12 Floor Sander
Parts List #2 5/06

Ref #	Part No.	Description	Qty
1	62800A	Pipe, Ass'y	1
2	85714A	Screw, ½ - 13 x 2¼ Hex	1
3	87006A	Washer, .56 X 1.38 X .11 Flat	1
4	962216	Screw 3/8 - 16 x 1¼ Hex	4
5	962870	Screw 3/8-16 x 1	1
6	44639A	Motor 4 hp 230V/60	1
	44640A	Motor 3 hp 240V/50	1
◆	40746A	Motor 2.2 kW 230V/50	1
7	64460A	Handle, Motor	1
8	66164A	Pulley, Motor	1
9	51028A	Belt-V	1
10	60401A	Arm, Cable	1
11	925044	Pin, 3/32 x 1 Cotter	1
12	66110A	Pipe Assembly	1
13	50954A	Dust Bag	1
14	84220A	Screw, ½-13 x 2¼ Ft.	1
15	68704A	Washer - Motor Screw	1
16	26108C	Platform, Motor	1
17	51021A	Belt - V	1
18	68002A	Stud	1
19	26102A	Pan, Dust	1
20	920256	Nut, 5/16-18 Hex	2
21	85820A	Screw, 3/8-16 x 5/8 Hex	3
22	85816A	Screw, 5/16-18 x 13/4 Hex	1
23	27801C	Support, Dust Pipe	1
24	67820A	Spacer, Motor Screw	1
25	87101A	Washer, ½ Lock	1
26	920196	Nut, ½-13 Hex Jam	1
27	30501A	Bushing	1
28	85817A	Screw, 5/16-18 x 2" Hex	1
29	34224A	Gasket	1
30	81202A	Nut, 7/16-14 Hex L.H.	2
31	87002A	Washer	2
32	23300A	Fan	1
33	39704A	Washer, Felt	1
34	24504C	Housing, Fan	1
36	902567	Bearing	1
37	34223A	Gasket, Support Pipe	1
38	23406A	Frame	1
39	962983	Screw, ¼-20 x 5/8 Pan	6
NI	18601A	Shaft Ass'y Drum includes D56, D39, D71	(1)
40	980657	Washer, ¼ Lock	9
41	62608C	Cover, Drum Housing	1
42	67314A	Screw, Special	1
43	70706A	Plate, Name CAS	1
44	51110A	Bearing	2
45	64703A	Housing, Bearing	1
46	67818A	Spacer, Drum Shaft	1
47	915028	Key - #5 Woodruff	2
48	67424A	Shaft Fan	1
49	51111A	Bearing	2
50	62001A	Cap, Bearing	1
51	962288	Screw, 3/8-16 x 1" Hex	2
52	67816A	Spacer	1
53	20401B	Arm	1

Ref #	Part No.	Description	Qty
54	67815A	Spacer, Idler Bearing	1
55	68101A	Stud	1
56	67413A	Shaft	1
57	38109A	Seal, Dust Pipe (not illustrated)	1
58	77234A	Label, Lifting Warning	1
59	962823	Screw, ¼-20 x ½ Pan	3
60	66172A	Pulley, Fan Shaft	1
61	67417A	Shaft, Drum Cover	1
62	13500A	Drum Assembly	1
63	67819A	Spacer, Drum Shaft	1
64	66918A	Retainer, Bearing	1
65◆	40676A	Switch, Control	1
66◆	10603A	Inlet Assembly	1
67	66165A	Pulley, Drum	1
68	980644	Washer, 5/8 Plain	1
69	920280	Nut, 5/8-18 Hex Jam	1
70	962262	Screw, 8-32 x ¼ Set	1
71	55400A	Key - #9 Woodruff	3
72	67415A	Shaft, Drum	1
73	67911A	Spring	1
74	22111A	Cover, Drum	1
75	31211A	Bumper Assembly	1
76	85517A	Screw, 10-24 x ½ PN	5
77	86202A	Screw, Set 5/8-11	1
78	67908A	Spring	1
79	66115A	Plunger	1
80	29402A	Yoke	1
81	66505A	Pin, Yoke	1
82	925036	Pin, 3/32 x 3/4 Cotter	1
83	877304	Ring Retaining	1
84	920148	Nut, 3/8-16 Hex Jam	1
85	87000A	Washer	1
86	61602A	Collar	1
87	32357A	Cover Handle	1
88	930087	Rivet	2
89	74044A	Plate Safety	1
90	62904A	Enclosure Motor	1
91	697502	Strain Relief Bushing	1
92	41305A	Capacitor, Start	2
93	41304A	Capacitor, Run	1
94	47378A	Switch, Start	1
95	962823	Screw, ¼-20 X ½	2
96	980614	Washer	2
97	45604A	Plug	1
98	41945A	Cord, Motor	1
99	915098	Key, ¼ Sq. x 1¼	1
100	57712A	Ring, Retaining	1
101	87034A	Retainer Pulley	1
102	962288	Screw, 3/8-16 x 1	1
103	66173A	Pulley Idler	1
104◆	962727	Screw, 8-32 x ½	8
105◆	61599A	Enclosure, Switch	1
106◆	87700A	Screw, ¼-20 x ½	2
107◆	980603	Washer	1
108◆	85833A	Screw, 10-32 x 3/8	1
109◆	46323A	Relay	1

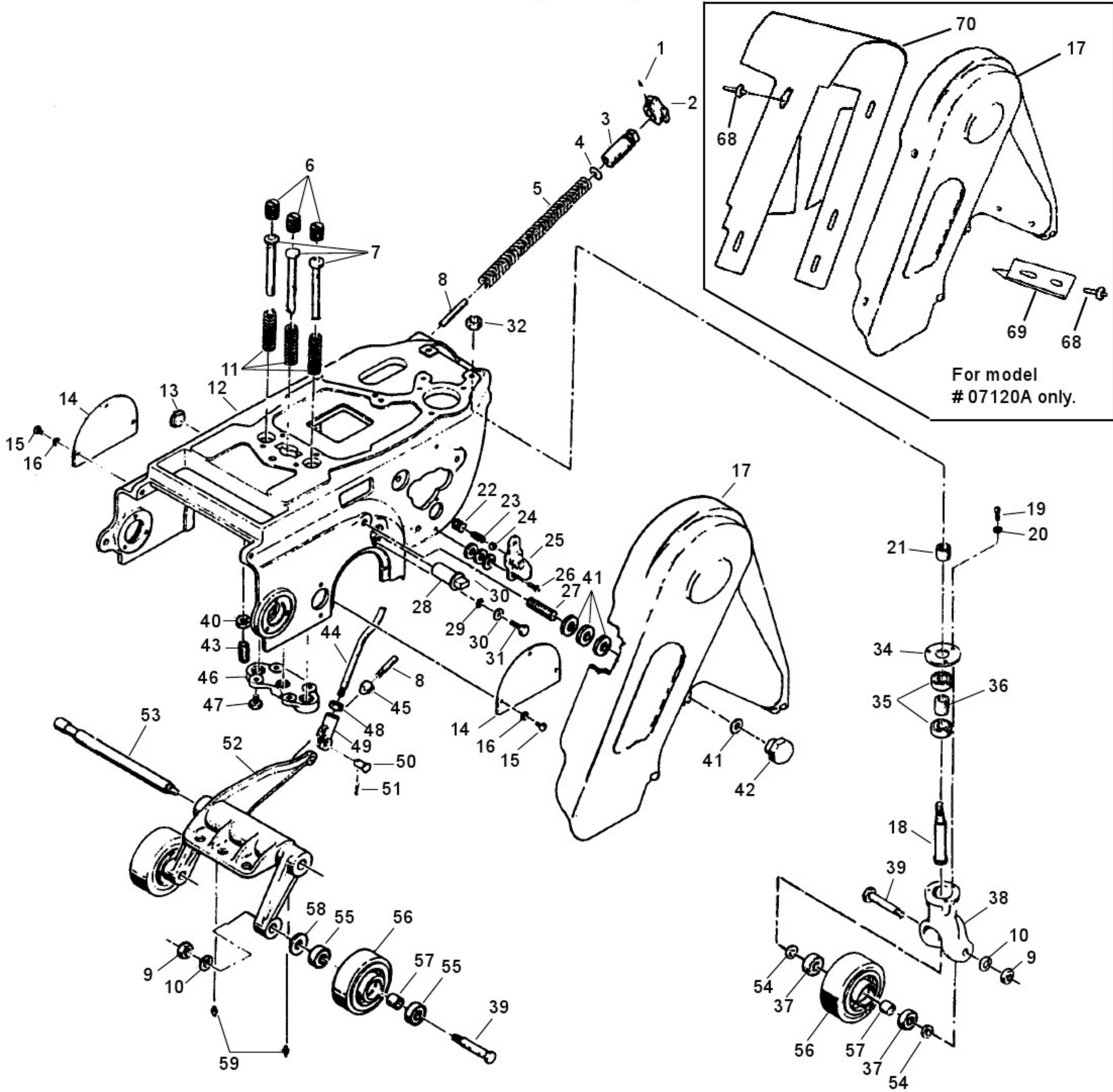
Motor Parts Not Illustrated

Part #	Description	Qty.
50563A	End Bell	1
52768A	Front Cover	1
53998A	Fan	1
52769A	Fan Cover	1

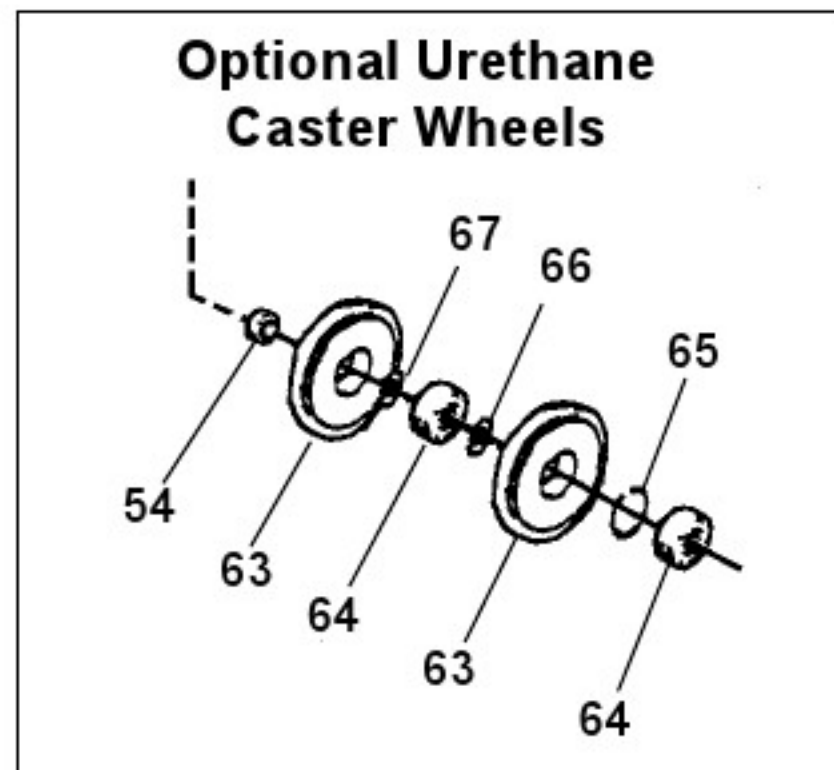
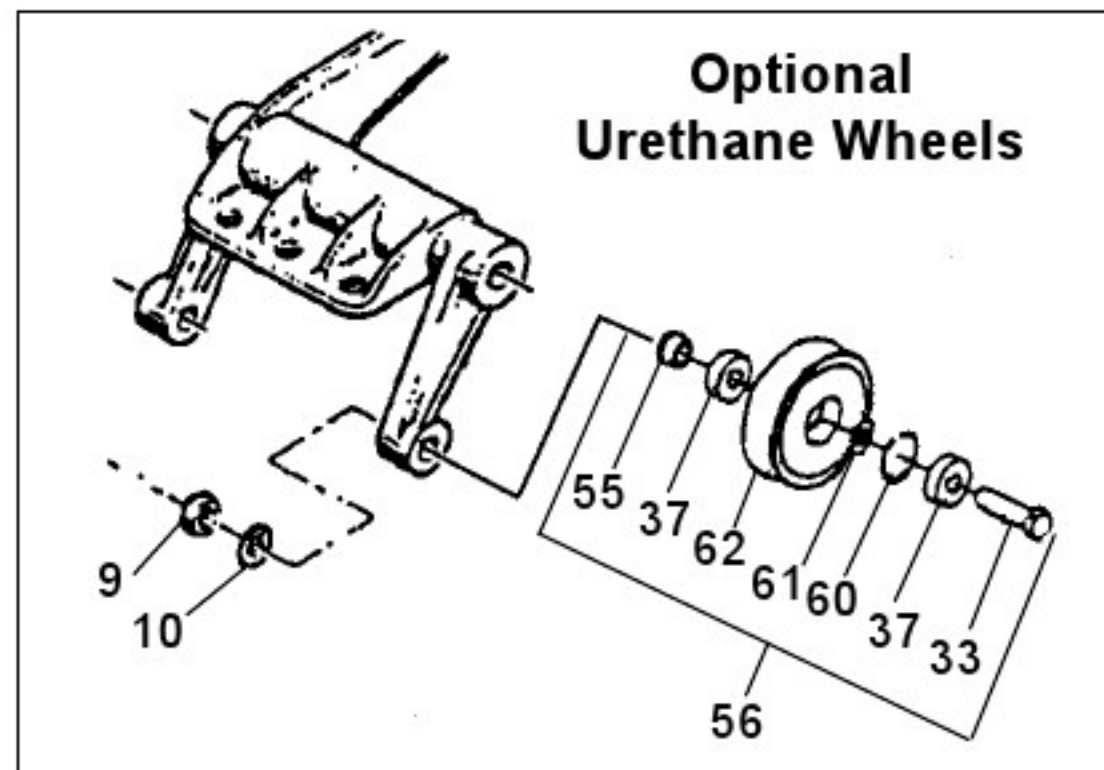
Part #	Description	Qty.
51188A	Bearing Front	1
902547	Bearing Rear	1
40316A	Armature Assembly	1

NOTE: ◆ indicates a change has been made since the last publication of this manual.

Clarke®
American Sanders
American 12 Floor Sander
Assembly Drawing #3 5/06



For model
 # 07120A only.



Clarke
American Sanders
American 12 Floor Sander
Assembly Parts List #3 5/06

07048C
07049C
07108A
07109A
07120A

Ref. No	Part No.	Description	Qty	Qty	Qty
1	88502A	Screw, 10-24 x $\frac{3}{8}$ Set	2	2	2
2	25200C	Knob, Hand	1	1	1
3	67309A	Screw, Sustainer	1	1	1
4	87000A	Washer	1	1	1
5	67907A	Spring, Sustainer	1	1	1
6	67315A	Screw	3	3	3
7	66123A	Plunger, Spring	3	3	3
8	67109A	Rod, Pilot	1	1	1
9	920196	Nut, $\frac{1}{2}$ -13 Hex Jam	3	3	3
10	87101A	Washer, $\frac{1}{2}$ Lock	3	3	3
11	67906A	Spring	3	3	3
12	Ref.	Frame, Main	1	1	1
13	57100A	Button, Plug	1	1	1
14	66628C	Plate, Cover Wheel	2	2	2
15	962015	Screw, 10-24 x $\frac{3}{8}$ Pn St Mach	6	8	6
16	980650	Washer, $\frac{3}{16}$ Lock	6	6	11
17	23801A	Guard, Belt	1	1	-
◆	21097A	Guard, Belt	-	-	1
18	60715B	Bolt, Pivot	1	1	1
19	962823	Screw, $\frac{1}{4}$ -20 x $\frac{1}{2}$ Pn St Mach	3	3	3
20	980657	Washer, $\frac{1}{2}$ Lock	3	8	3
21	67814A	Spacer	1	1	1
22	86202A	Screw, $\frac{5}{8}$ -11 x $\frac{5}{8}$ St	2	2	2
23	67909A	Spring	2	2	2
24	51113A	Ball, $\frac{1}{2}$ Diameter	2	2	2
25	21902C	Clamp	2	2	2
26	962892	Screw, $\frac{1}{4}$ -20 x $\frac{5}{8}$ Pn St Mach	4	4	4
27	68001A	Stud, Belt Guard	1	1	1
28	62801A	Shaft, Cont. Ecc.	1	1	1
29	980614	Washer, #1114 Shakeproof	1	1	1
30	87007A	Washer, Cont. Shaft Ecc.	13	13	13
31	85806A	Screw, $\frac{1}{4}$ -20 x 1 Hex St	1	1	3
32	81209A	Nut, Large Flange $\frac{1}{2}$ -13	1	1	1
33	60547A	Axle	-	2	1
34	66913A	Retainer, Bearing	1	1	1
35	51112A	Bearing	2	2	2
36	67821A	Spacer	1	1	1
37	51225A	Bearing, Ball	6	6	2
38	29403C	Yoke, Wheel	1	-	1
39	60101A	Axle	3	1	1
40	920160	Nut, $\frac{5}{16}$ -18 Hex JAM	1	1	1
41	87006A	Washer, $\frac{9}{16}$ x $1\frac{3}{8}$ x 10	ref.	ref.	ref.
42	26000C	Nut, Retaining	1	1	1
43	86201A	Screw, $\frac{5}{16}$ -18 Set	1	1	1
44	67144A	Rod, Control	1	1	1
45	62000A	Nut, End	1	1	1
46	26502A	Plate, Plunger	1	1	1
47	85811A	Screw, $\frac{5}{16}$ -18 x $\frac{3}{4}$ Hex St Cap	4	4	4
48	920260	Nut, $\frac{3}{8}$ -16 Hex	1	1	1
49	53917B	Fork, Control	1	1	1
50	66503A	Pin, Fork	1	1	1
51	925036	Pin, $\frac{3}{32}$ x $\frac{3}{4}$ Cotter	1	1	2
52	25600A	Lever, Reach	1	1	1
53	67416A	Shaft, Lever	1	1	1
54	67810A	Spacer	2	2	2
55	60544A	Spacer	-	2	1
56	59928A	Wheel (Steel)	3	-	-
	10243A	Kit, Wheel (Urethane) (Optional)	-	-	-
57	67817A	Spacer	3	3	3
58	87003A	Washer	2	2	2
59	54000A	Fitting, Grease	2	2	2
60	167312	Ring, Retainer	2	2	2
61	60481A	Spacer	-	2	1
62	50992A	Wheel, Assembly	-	2	2
63	61333A	Wheel, Caster 4"	-	2	2
64	51226A	Bearing	-	4	4
65	747304	Ring, Retaining	-	2	2
66	87003A	Spacer	-	1	1
67	61355A	Spacer	-	2	2
68◆	930087	Rivet	-	-	7
69◆	61693A	Shield, Lower Guard	-	-	1
70◆	61692A	Shield, Upper Guard	-	-	1

NOTE: ◆ indicates a change has been made since the last publication of this manual.