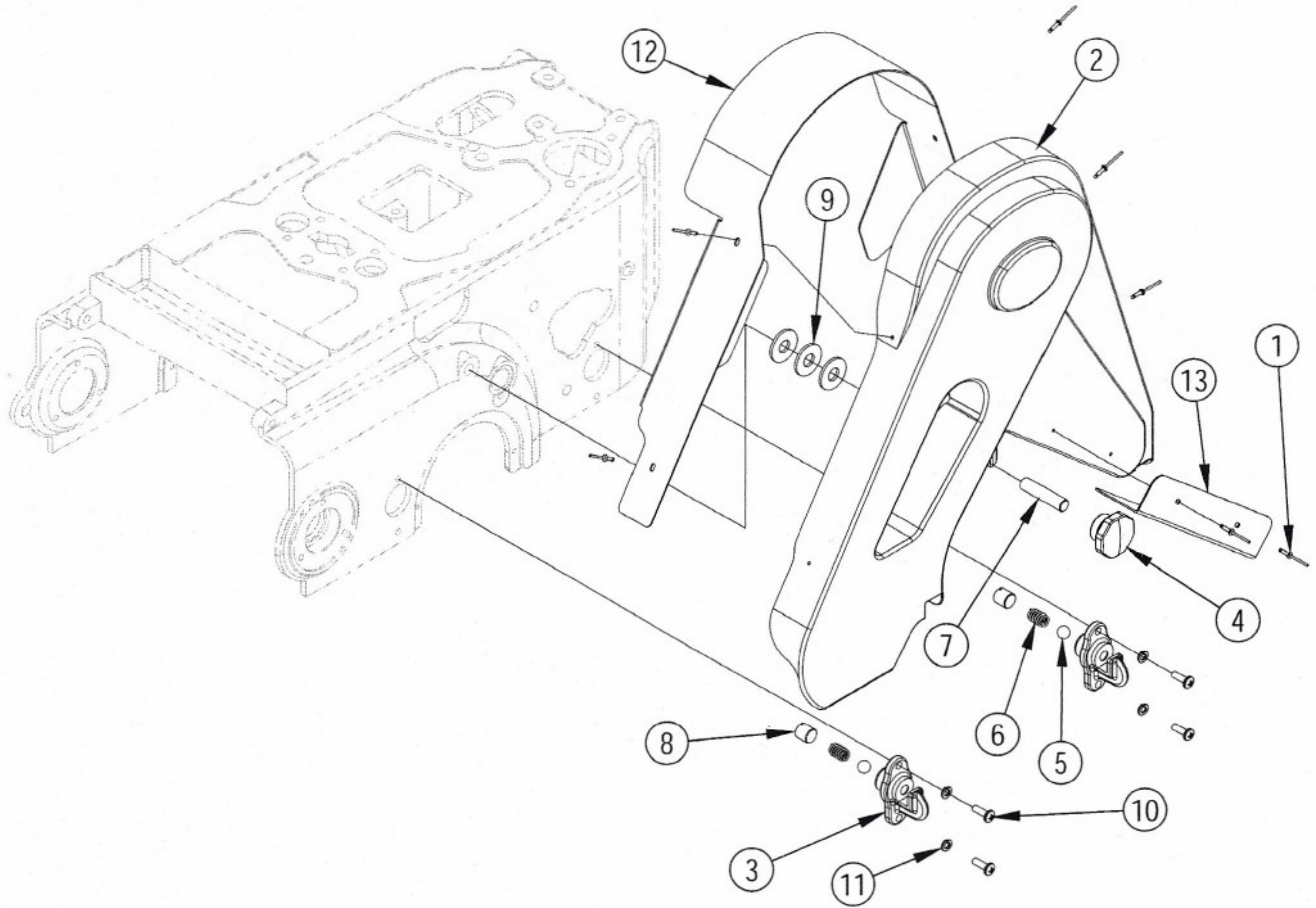


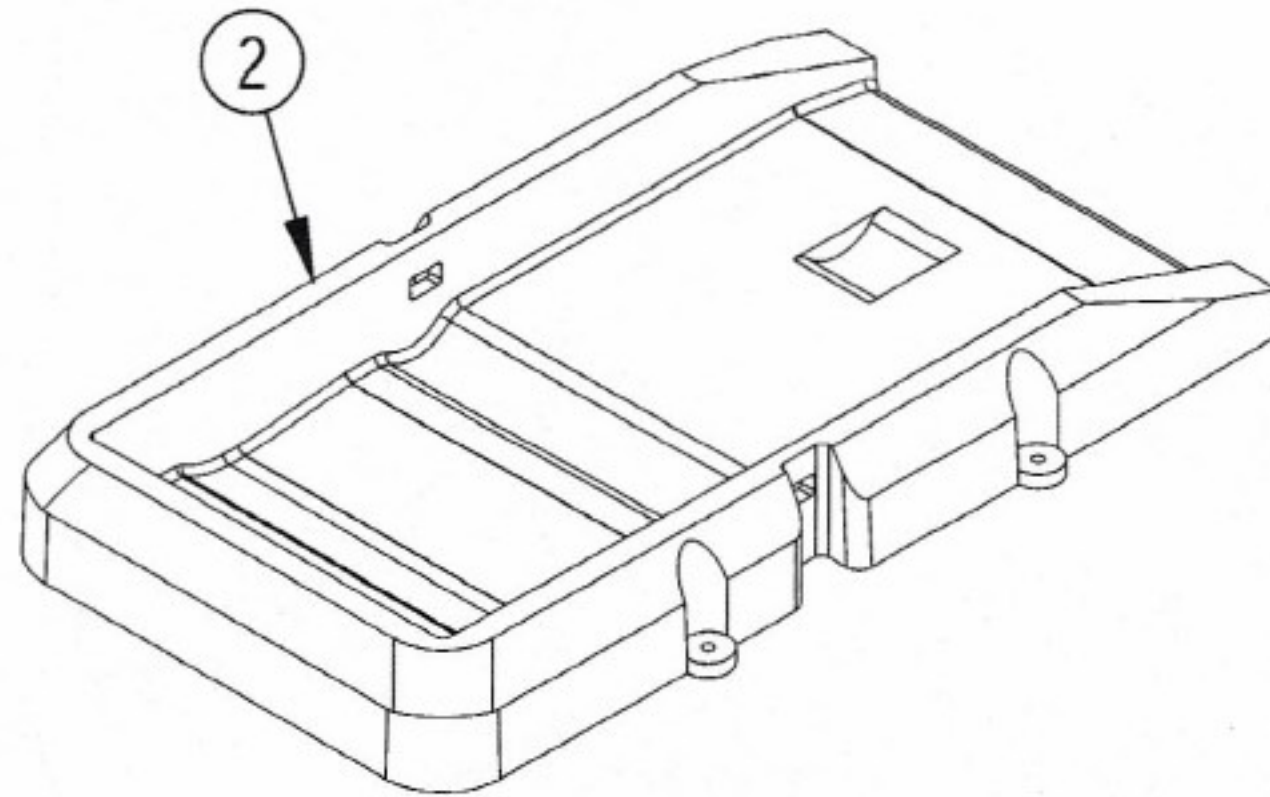
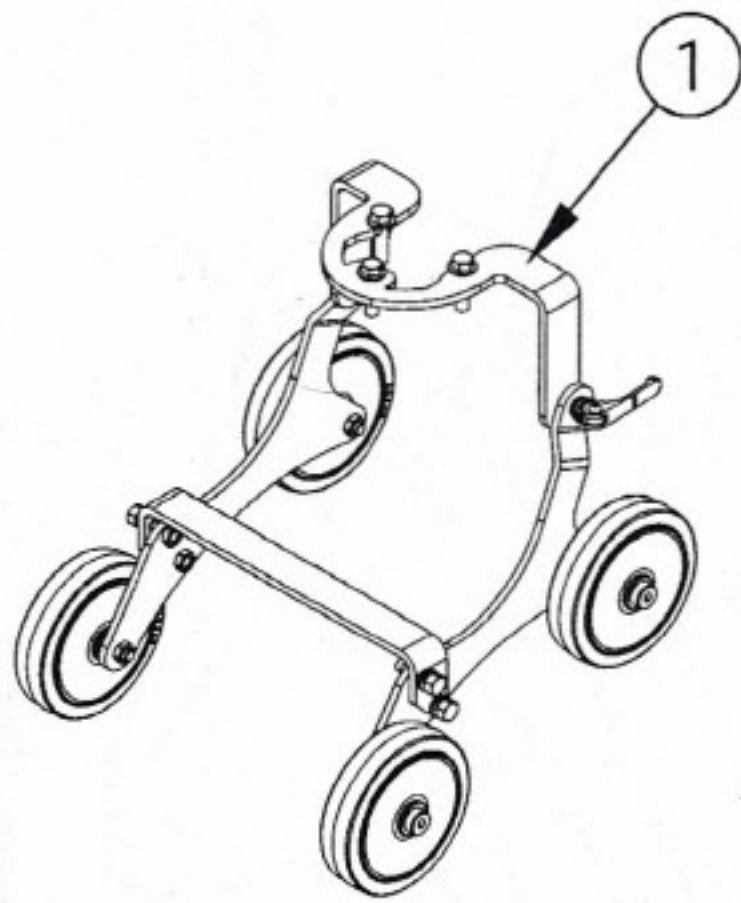
BELT GUARD ASSY [MODELS 07001A, 07108A, 07109A, 07044C, 07049C]

Item	Ref. No.	Qty	Description
1	21902C	2	Clamp - Belt Guard - Black
2	23801A	1	Guard-Belt Pntd
3	26000C	1	Nut - Black
4	51113A	2	Ball 1/2 C.R. Steel
5	67909A	2	Spring
6	68001A	1	Stud-Guard Belt
7	86202A	2	Scr 5/8 -11x 5/8 St St
8	87006A	3	1/2 Uss Std Flat Washer Pltd
9	962892	4	Screw 1/4-20 Unc X 3/4 Pan Head
10	980657	4	Washer, Lock 1/4



BELT GUARD ASSY [MODEL 07120A]

Item	Ref. No.	Qty	Description
1	930087	7	Rivet 1/8dia Usm Ad42bs
2	21097A	1	Guard Belt Am-12 Ce
3	21902C	2	Clamp - Belt Guard - Black
4	26000C	1	Nut - Black
5	51113A	2	Ball 1/2 C.R. Steel
6	67909A	2	Spring
7	68001A	1	Stud-Guard Belt
8	86202A	2	Scr 5/8 -11x 5/8 St St
9	87006A	3	1/2 Uss Std Flat Washer Pltd
10	962892	4	Screw 1/4-20 Unc X 3/4 Pan Head
11	980657	4	Washer, Lock 1/4
12	61692A	1	Shield, Upper Guard
13	61693A	1	Shield, Lower Belt Guard



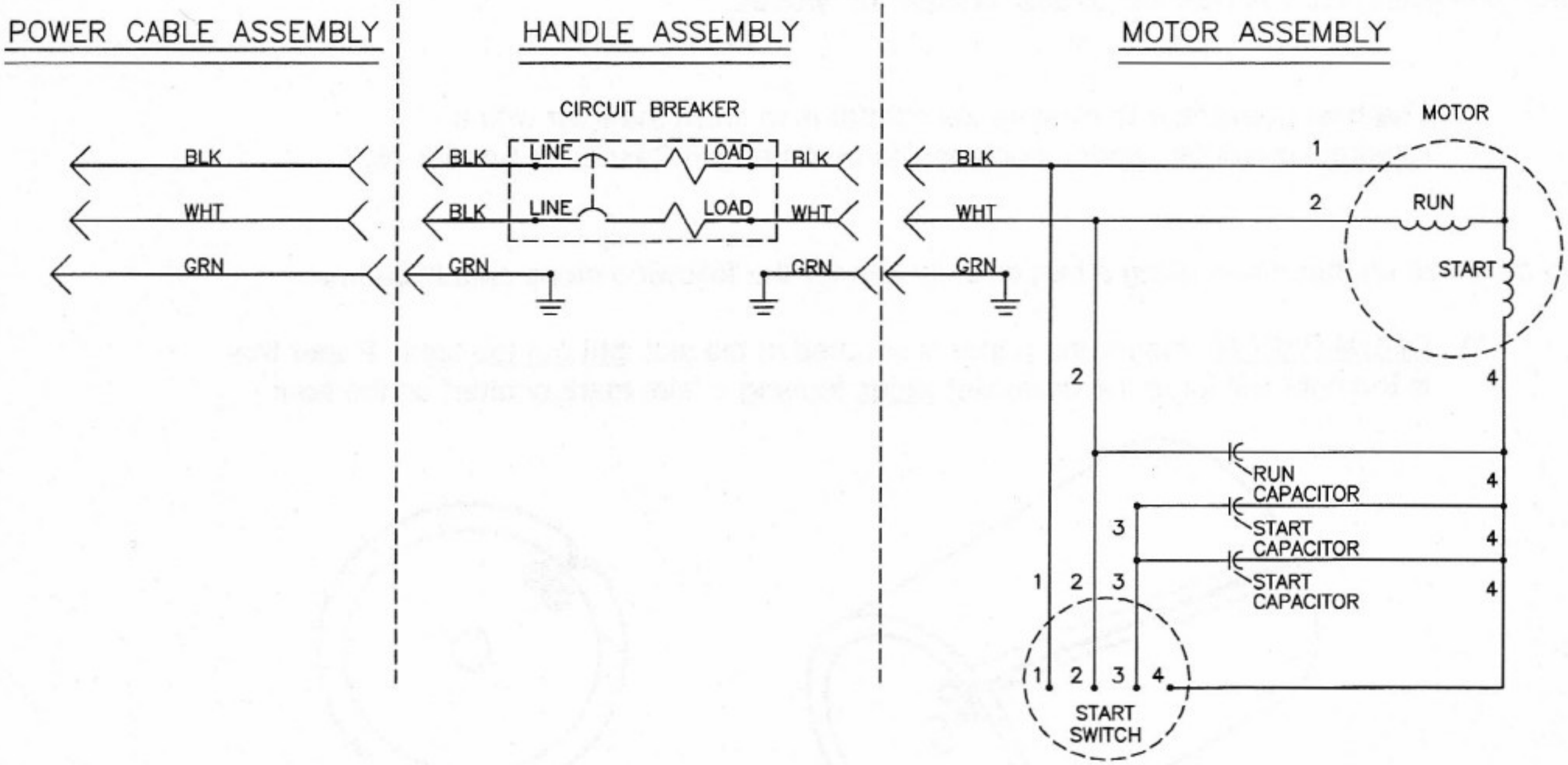
ACCESSORIES

Item	Ref. No.	Qty	Description
1	10216A	1	Assy Dolly American
2	30088A	1	Skid Transport
[]	60724A	1	Belt, Operating (std on models 07044C, 07108A, 07049C, 07109A, 07120A)
[]	53560A	1	Beltleather Operators
[]	59810A	1	Wrench, Paper Clamp (std on models 07044C, 07108A, 07049C, 07109A, 07120A)
[]	50842A	1	Wrench, End 3/4 x 7/16 (std on models 07044C, 07108A, 07049C, 07109A, 07120A, 07001A)
[]	64415A	1	Handle, Carrying (std on models 07044C, 07108A, 07049C, 07109A, 07120A, 07001A)
[]	42201A	1	Cord Assembly (NEMA) (std on models 07044C, 07108A)
[]	42200A	1	Cord Set-Hard Service
[]	68314A	1	Template (std on all models)
[]	10243A	2	Wheel Asm Urethane (std on models 07001A, 07108A, 07109A, 07120A)
[]#	56383241	3	Steel Wheel Am 8/12 Asm Kit

[] = Not Shown

= Revised or new since last update

Wiring Diagram [models 07044C, 07049C, 07108A and 07109A]



Wiring Diagram [model 07120A]

