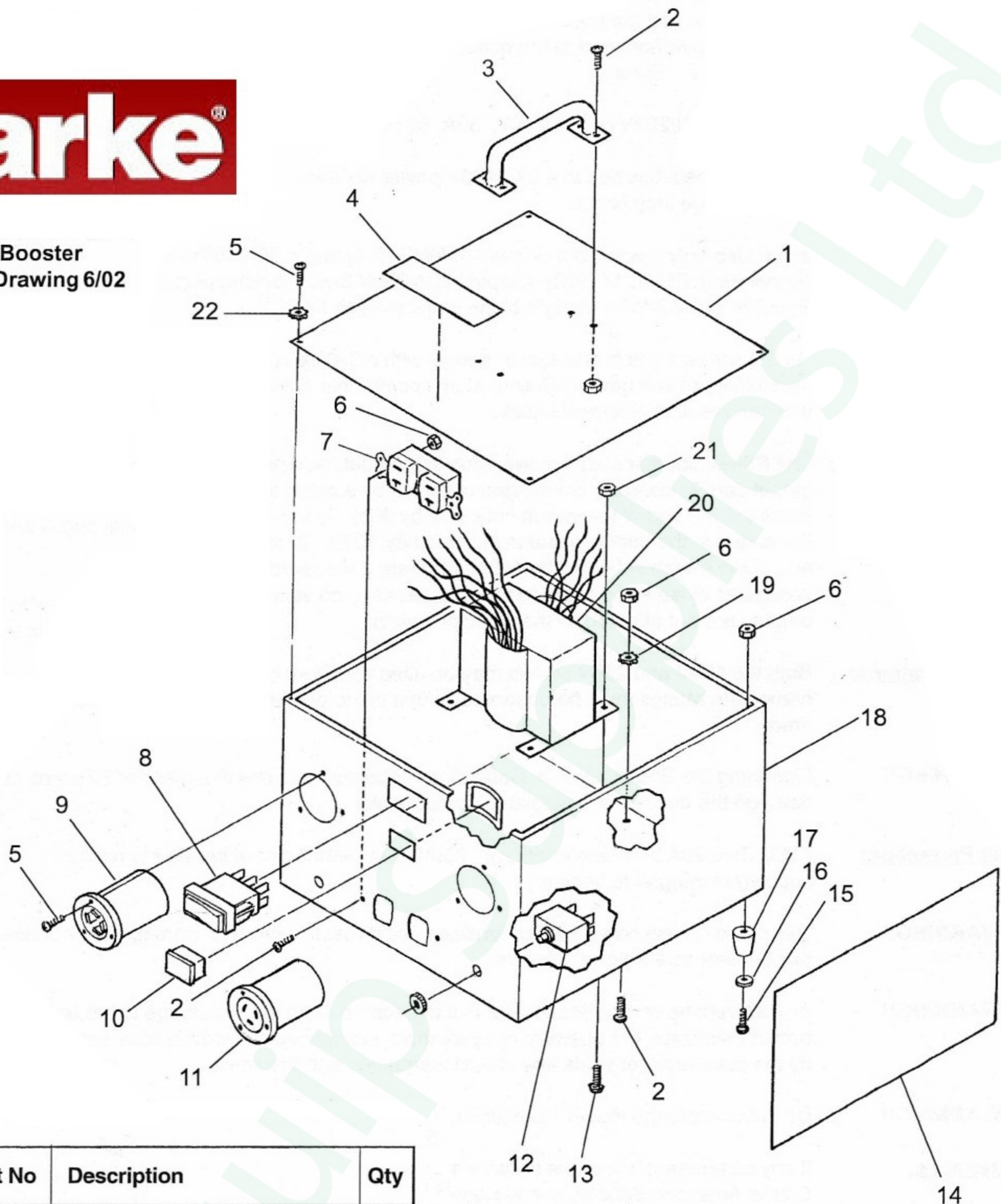




**Power Booster  
Assembly Drawing 6/02**



Ref No.	Part No	Description	Qty
1	60598A	Cover, Case	1
2	962207	Screw, 8-32 x 3/4	2
3	52481A	Handle	1
4	77375A	Label, Clarke-American Sanders	1
5	962546	Screw, 10-24 x 1/2	10
6	920065	Nut, 8-32 Nylon Lock	11
7	40589A	Outlet, Duplex 120v/20AMP	1
8	40585A	Switch, Selector	1
9	40587A	Inlet, 30 amp twist lock	1
10	40584A	Voltmeter	1
11	40588A	Outlet, Flanged	1
12	41410A	Circuit Breaker, 125V/20A	2
13	85376A	Screw, 1/4-20 x 5/8 Pan	4
14	70346A	Labels, Instruction Set	1
15	85613A	Screw, 8-32 x 7/8	4
16	980982	Washer, #10	4
17	51220A	Bumper, Gray Non-Marking	4
18	60599A	Case	1
19	980621	Washer, #8 Star	1
20	40586A	Transformer	1
21	81102A	Nut, 1/4-20 Nylon Lock	4
22	980603	Washer, #10 Star	4

POWER BOOSTER WIRING DIAGRAM.

