



Advanced Performance. Total Reliability.

Owner's Manual

CAPSPRAY 95

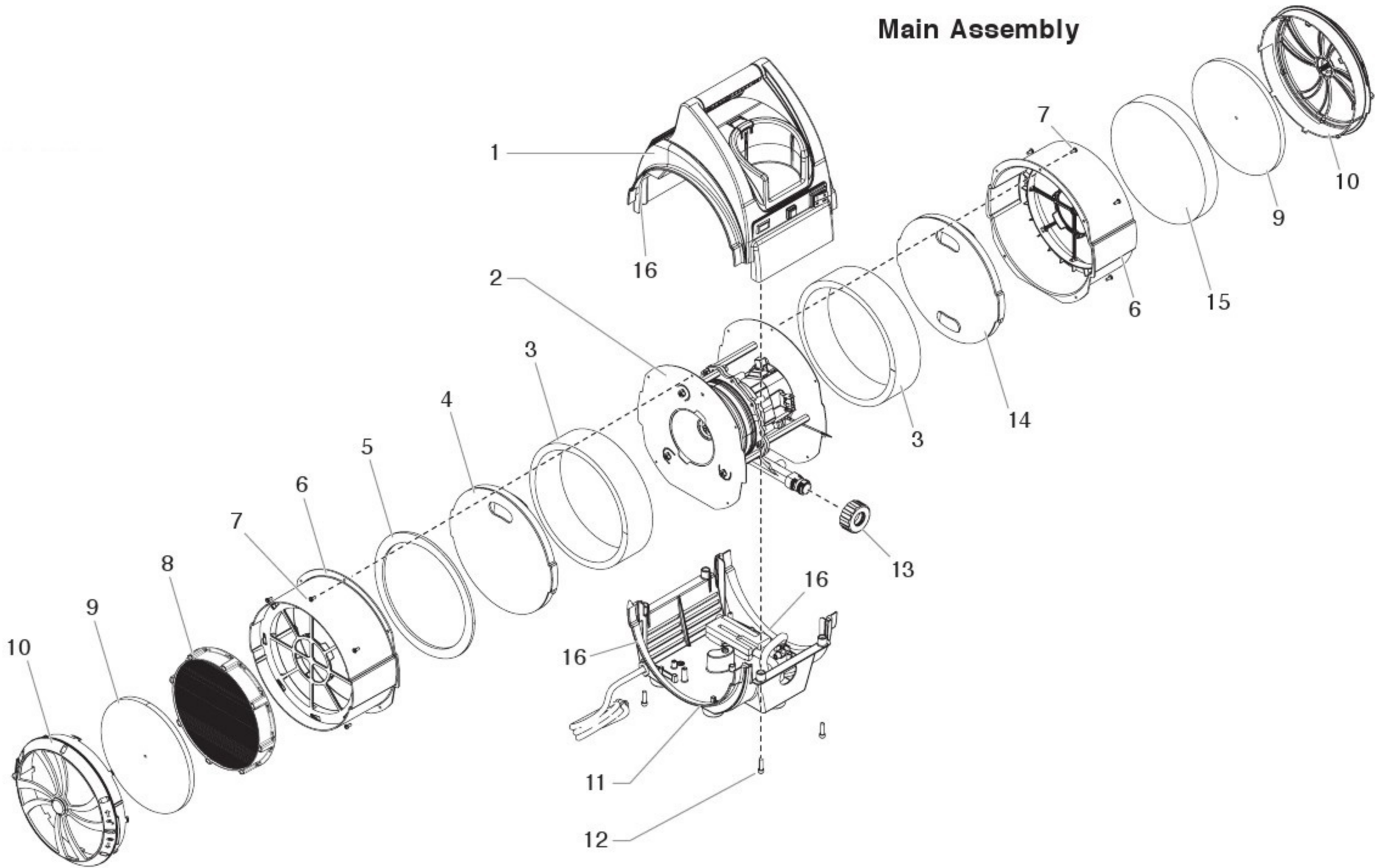
HVLP Spray System

Model Number:

0524032



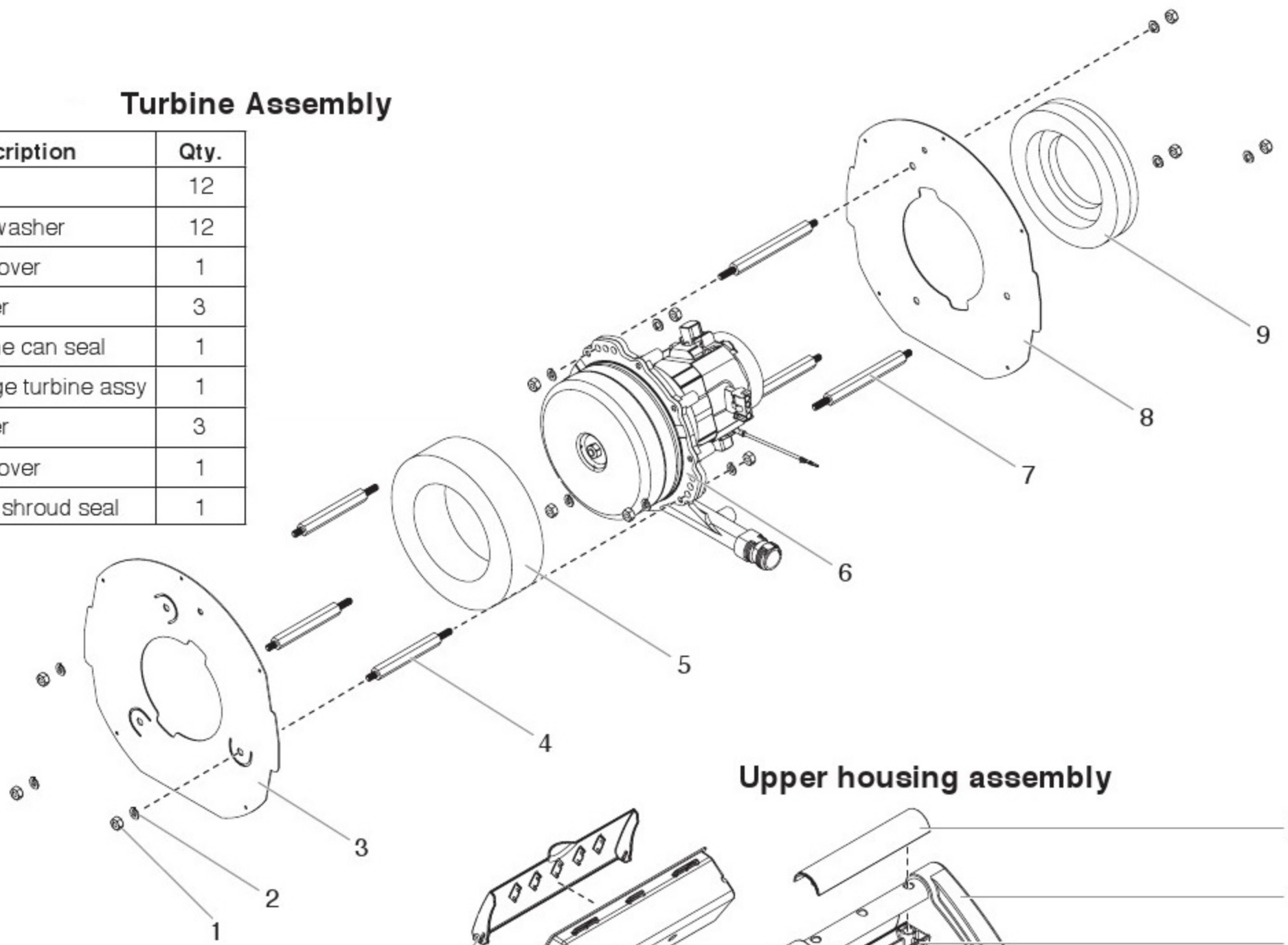
Parts List Main Assembly



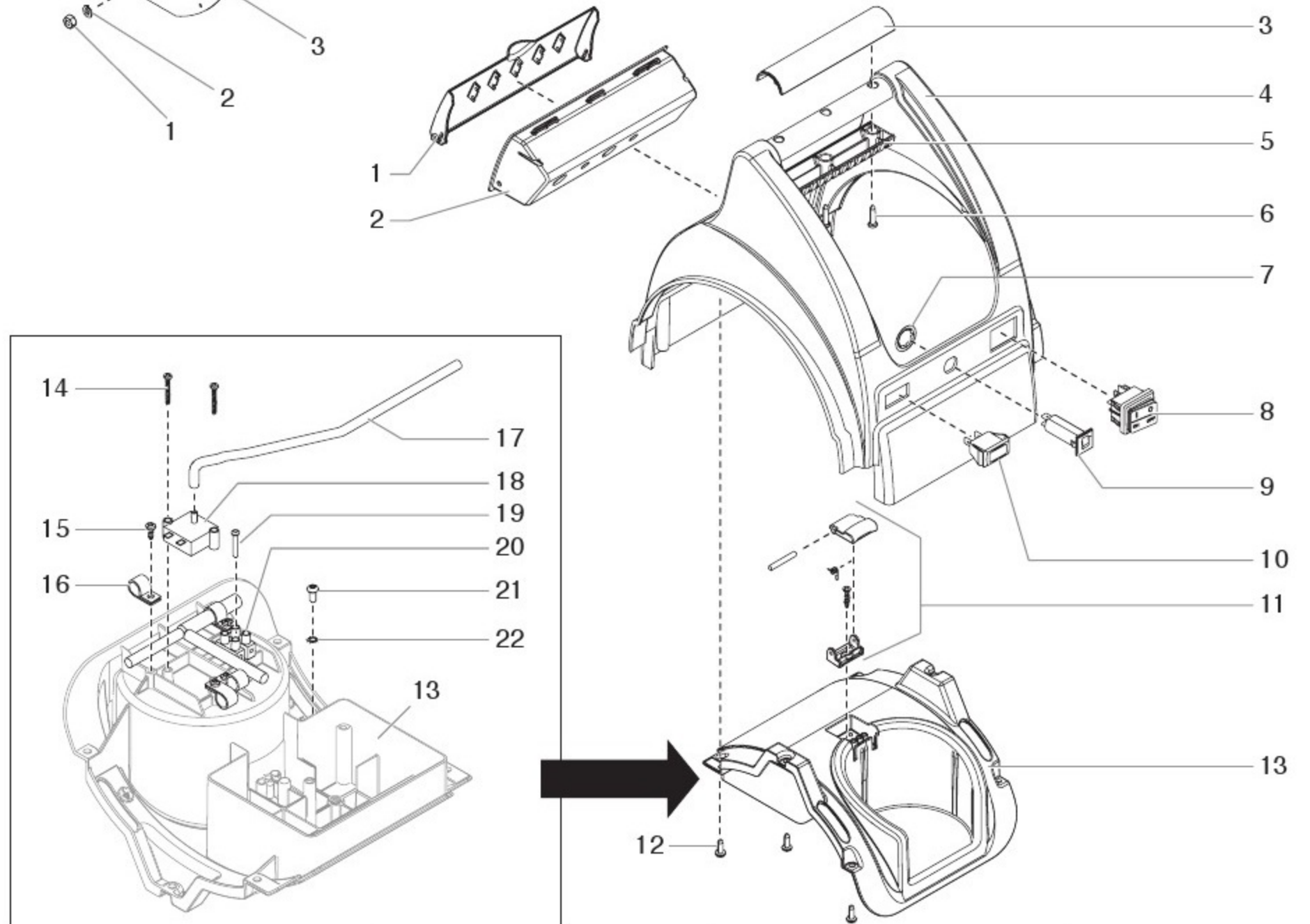
| Item Art. Art. | Part No. N° de pièce Pieza No. | English Description | Qty. Qte. Cant. |
|----------------|--------------------------------|---|-----------------|
| 1 | ----- | Upper housing assembly (see separate listing) | 1 |
| 2 | ----- | 4-Stage turbine assembly, 120V (see separate listing) | 1 |
| 3 | 0524927 | Sidewall silencer | 2 |
| 4 | 0524593A | Silencer assembly | 1 |
| 5 | 0524524 | Sealing foam | 1 |
| 6 | 0524948 | Filter can | 2 |
| 7 | 0293395 | Screw | 10 |
| 8 | 0524523A | Filter | 1 |
| 9 | 0524526A | Pre-filter | 2 |
| 10 | 0524949 | Filter cover | 2 |
| 11 | ----- | Lower housing assembly (see separate listing) | 1 |
| 12 | 858-634 | Screw | 4 |
| 13 | 0524596 | Exhaust ring | 1 |
| 14 | 0524926 | Silencer assembly | 1 |
| 15 | 0524528A | Filter | 1 |
| 16 | 0524594 | Foam tape | 4 |
| | 0277337 | Air hose (not pictured) | 1 |
| | 0153165 | Viscosity cup (not pictured) | 1 |
| | 0275625 | Quick-disconnect, female (not pictured) | 1 |
| | 0524405A | Air hose, whip (not pictured) | 1 |
| | 0524041 | Spray gun (not pictured) | 1 |

Turbine Assembly

| Item | Part No. | Description | Qty. |
|------|----------|----------------------|------|
| 1 | 9810108 | Nut | 12 |
| 2 | 9821503 | Lock washer | 12 |
| 3 | 0523998 | Can cover | 1 |
| 4 | 0524590 | Spacer | 3 |
| 5 | 0524686 | Turbine can seal | 1 |
| 6 | 0524289 | 4-Stage turbine assy | 1 |
| 7 | 0524591 | Spacer | 3 |
| 8 | 0524971A | Can cover | 1 |
| 9 | 0524687 | Motor shroud seal | 1 |



Upper housing assembly



| Item | Part No. | Description | Qty. |
|------|----------|---------------------------------|------|
| 1 | 0524537 | Tool box door | 1 |
| 2 | 0524538 | Tool box | 1 |
| 3 | 0524557 | Top handle | 1 |
| 4 | 0524531A | Upper housing | 1 |
| 5 | 0524558 | Lower handle | 1 |
| 6 | 9802266 | Screw | 3 |
| 7 | 0524963 | Lock washer | 1 |
| 8 | 0524553 | Switch | 1 |
| 9 | 0524549 | Circuit breaker switch kit, 15A | 1 |
| 10 | 0524547 | Warning light assembly, 120V | 1 |
| 11 | 0524996 | Electrical cover assembly | 1 |

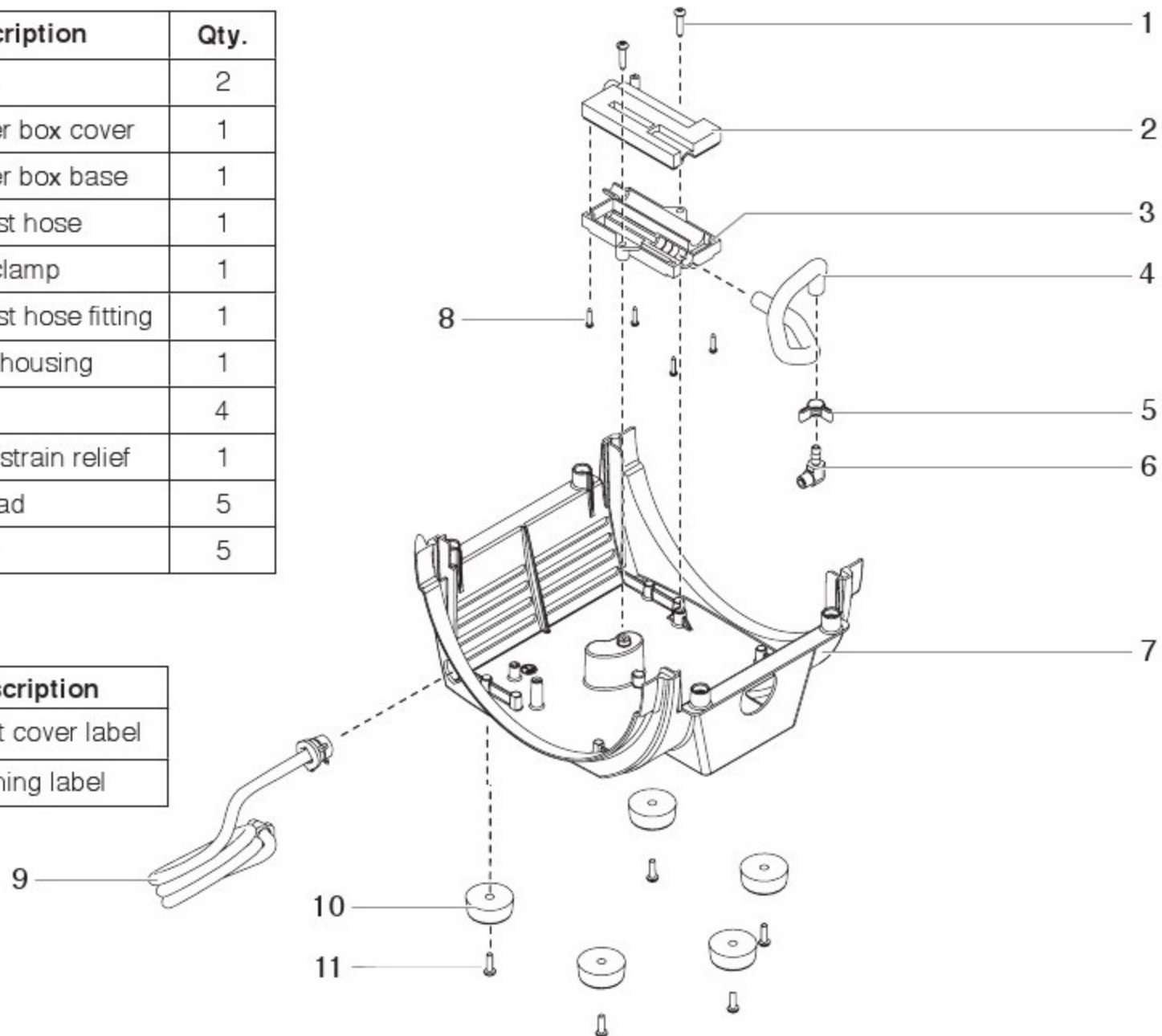
| Item | Part No. | Description | Qty. |
|------|----------|-----------------|------|
| 12 | 9803104 | Screw | 6 |
| 13 | 0524536 | Cup holder | 1 |
| 14 | 9805386 | Screw | 2 |
| 15 | 9802265 | Screw | 4 |
| 16 | 0524566 | Cable clamp | 4 |
| 17 | 0277475 | Tube | 1 |
| 18 | 0277472 | Air flow switch | 1 |
| 19 | 9802905 | Screw | 1 |
| 20 | 0524625 | Wire assembly | 1 |
| 21 | 9805287 | Ground screw | 1 |
| 22 | 9822106 | Lock washer | 1 |

Lower housing assembly

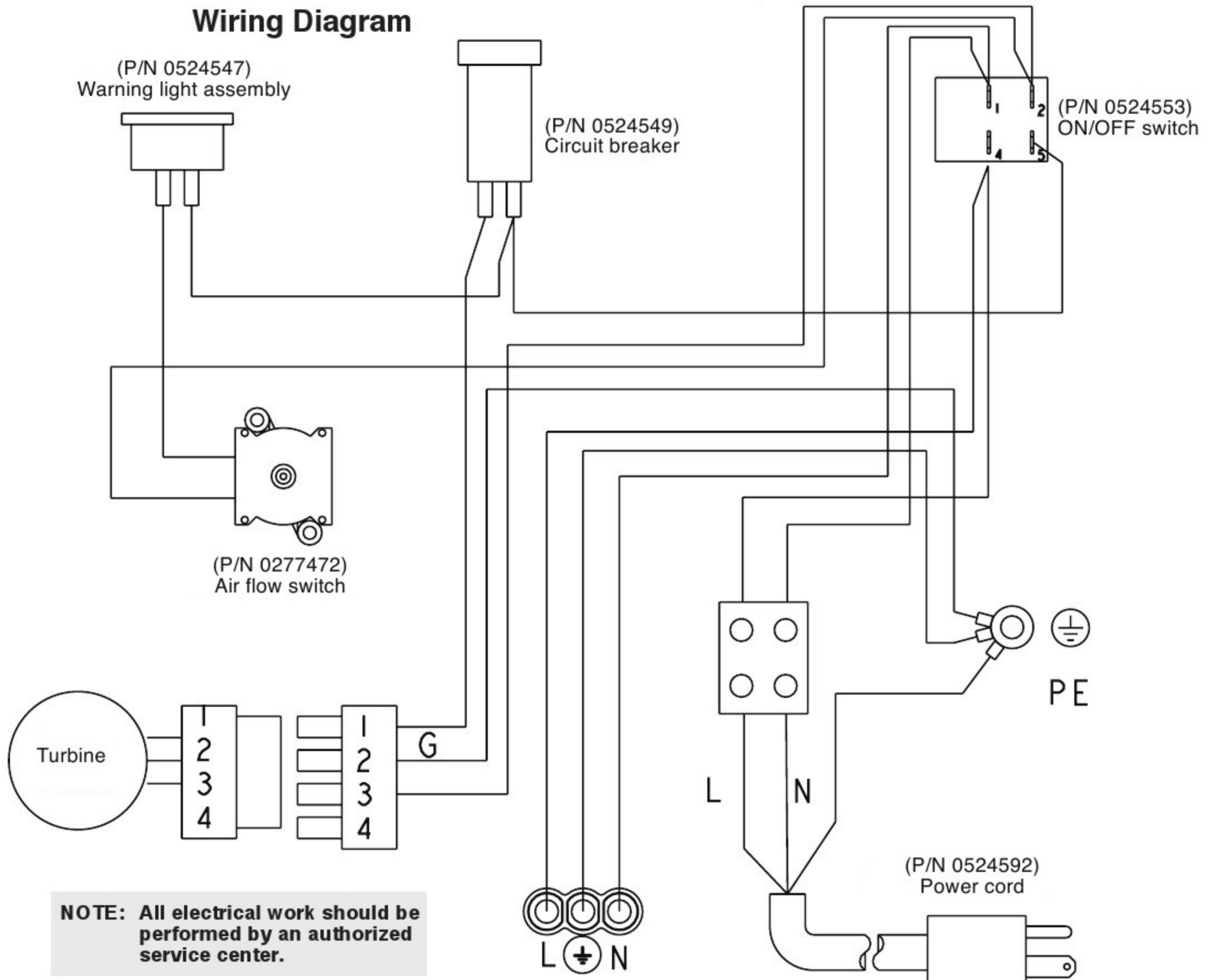
| Item | Part No. | Description | Qty. |
|------|----------|----------------------|------|
| 1 | 9805387 | Screw | 2 |
| 2 | 0277443 | Bleeder box cover | 1 |
| 3 | 0277442 | Bleeder box base | 1 |
| 4 | 9881911 | Exhaust hose | 1 |
| 5 | 0276512 | Hose clamp | 1 |
| 6 | 0276511 | Exhaust hose fitting | 1 |
| 7 | 0524532A | Lower housing | 1 |
| 8 | 9802213 | Screw | 4 |
| 9 | 0524592 | Cord / strain relief | 1 |
| 10 | 0090628 | Foot pad | 5 |
| 11 | 9802222 | Screw | 5 |

Labels

| Part No. | Description |
|----------|-------------------|
| 0524852 | Front cover label |
| 0277630 | Warning label |



Wiring Diagram



NOTE: All electrical work should be performed by an authorized service center.