



**Advanced Performance. Total Reliability.**

**Owner's Manual**

# **CAPSPRAY 95**

## **HVLP Spray System**

**Model Number:**

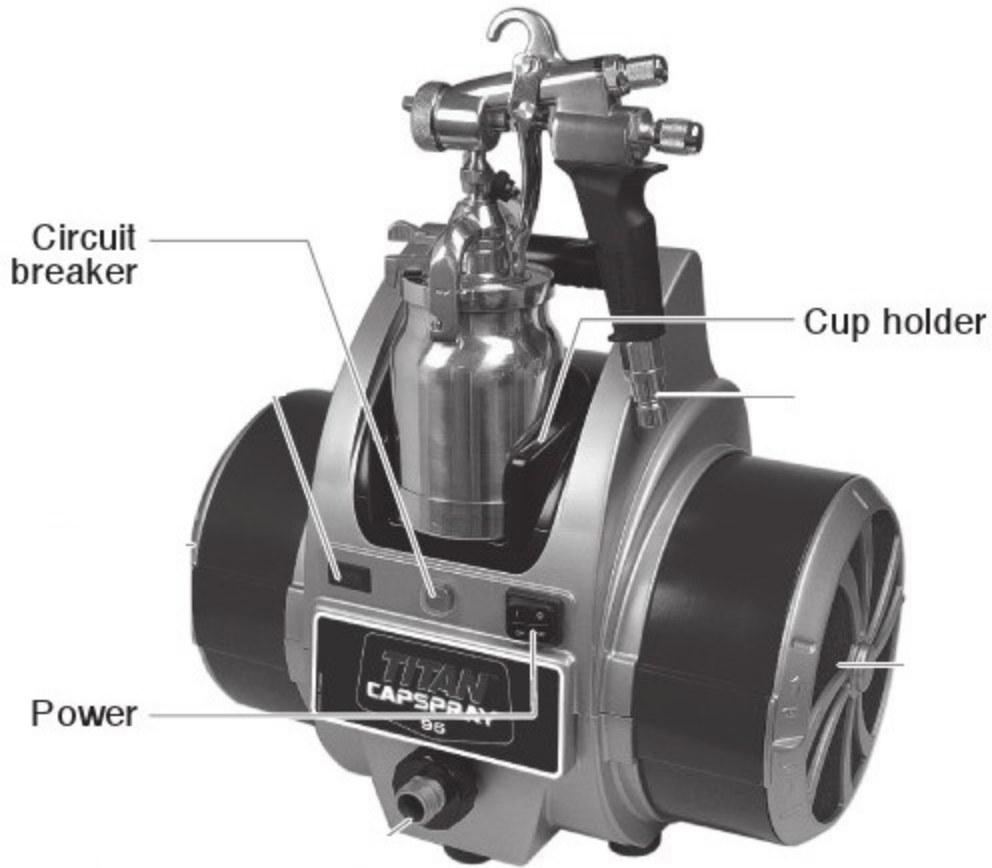
**0524032**





## Introduction

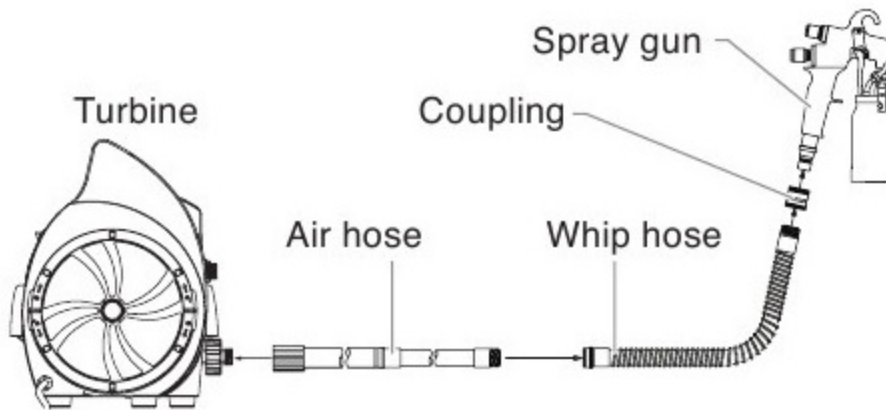
This High Volume/Low Pressure (HVLP) spray system is designed for applying coatings to surfaces that can be sprayed faster than brushing or rolling and are too small for traditional airless sprayers. Components of this system include a power switch, a power cord, a filter warning light, a circuit breaker switch, a dual filtration system, a cup holder and an air hose.



With this HVLP spray system, you can achieve the highest quality professional finish possible with little or no preparation or setup time. Please review all the information contained in this manual before operating the system.

## Using an HVLP Spray System

Refer to the following information to operate and understand your HVLP spray system.



**IMPORTANT: Do not attach the short air whip hose directly to the turbine, as the hose will become damaged.**

## Setup

Use the following procedure to set up your HVLP spray system for operation.

1. Plug the turbine power cord into a grounded, 3-slot receptacle

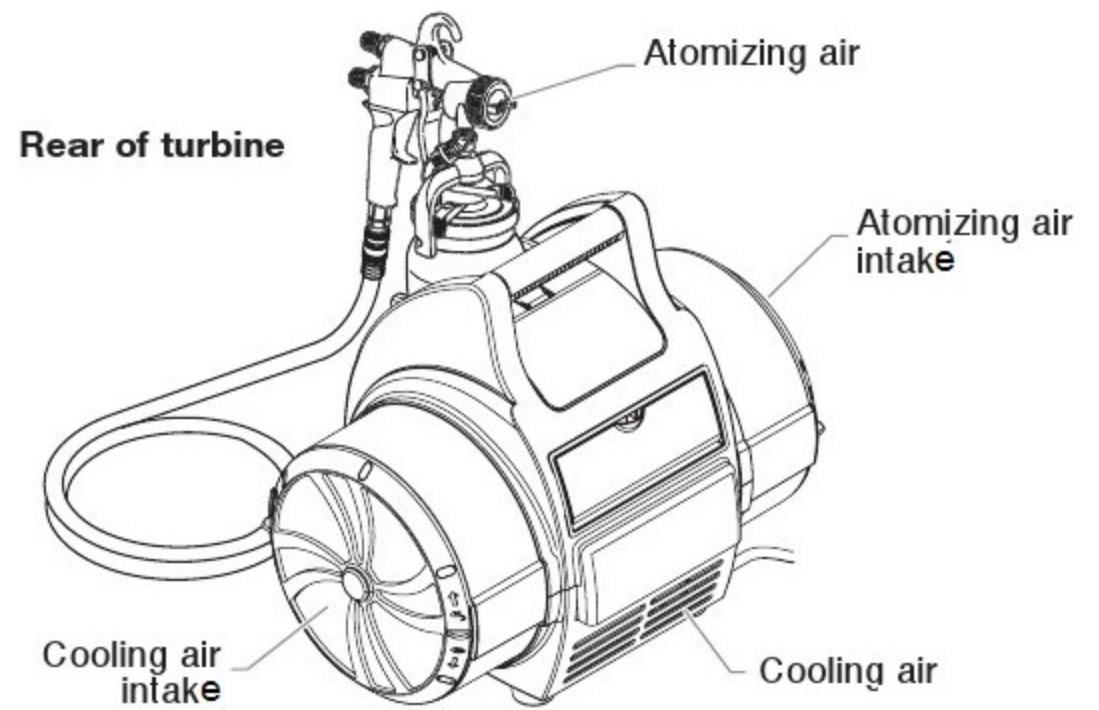


**Keep the turbine at the maximum possible distance from the spray area to safeguard against explosion or fire that may be caused by sparking electrical parts.**

2. Prepare your spray gun for operation. Refer to your spray gun manual for material preparation, setup, and spraying information.
3. Attach the air hose to the air outlet on the turbine.
5. Turn on the turbine and begin spraying.

## Dual Filtration System

The turbine has two different air filters— one for atomizing air and one for cooling air. The atomizing air filter is a two-stage, fine mesh filter designed to trap particles that may damage your finish. The atomizing air is discharged through the nozzle of the spray gun where it atomizes the coating material. The cooling air filter is a coarse mesh filter designed to allow the proper amount of air flow through the turbine for cooling purposes. Cooling air is exhausted through the cooling air discharge on the front of the turbine.



## Filter Warning System

The filter warning system on your turbine consists of a red filter warning light on the front control panel and an air flow switch inside the turbine. When the air flow switch does not detect the appropriate amount of air flowing through the turbine, the filter

change the filters.

**NOTE: The filter warning system does not shut down the turbine.**

**IMPORTANT: Clean filters regularly. Clogged filters can cause excessive heat and possibly damage the turbine.**

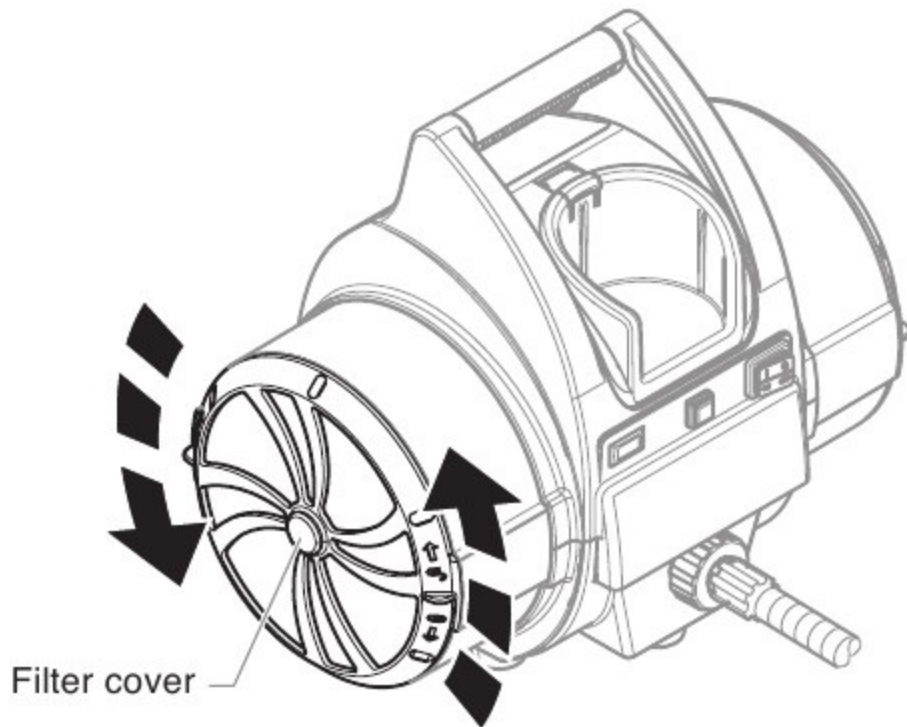


# Maintenance

## Cleaning / Replacing the Filters

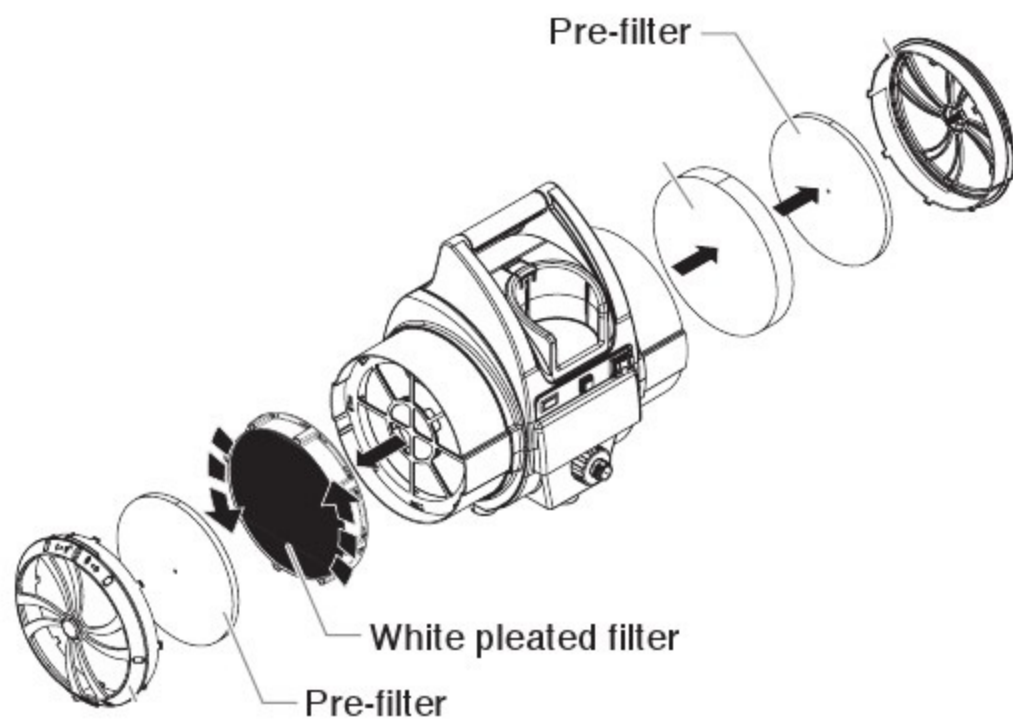
**IMPORTANT: Make sure the turbine is unplugged before changing the filters.**

1. Remove the filter covers on each side of the turbine by turning them counterclockwise.



2. Remove each filter set (pre-filter and filter) from the filter housing on each side of the turbine.

**NOTE: The white pleated filter is removed from the turbine in the same manner as the filter cover. Turn counterclockwise to unlock and remove.**



3. Clean the filters. Either tap the filters to knock out the contaminants or use pressurized air to blow out the contaminants. For material that is not blown or knocked loose easily, soak the filters in soapy water or mineral spirits. Allow the filters to dry completely before placing them back in the turbine.

**NOTE: Do not use highly flammable solvents, such as lacquer thinner, to clean the filters.**

**IMPORTANT: Do not soak paper pleated filter in solvents. Only tap the filter or use compressed air directed at the inside (the clean side)**

4. Insert each filter back into its corresponding filter can.

**NOTE: Make sure the white pleated filter is fitted securely to the spokes of the filter can. Turn clockwise to secure in place.**

5. Replace the filter covers on each side of the turbine by turning them clockwise.

After several cleanings, it may become necessary to replace the filters. Refer to the parts list near the end of this manual for the filter replacement kit part number.

## Cleaning the Air Hoses

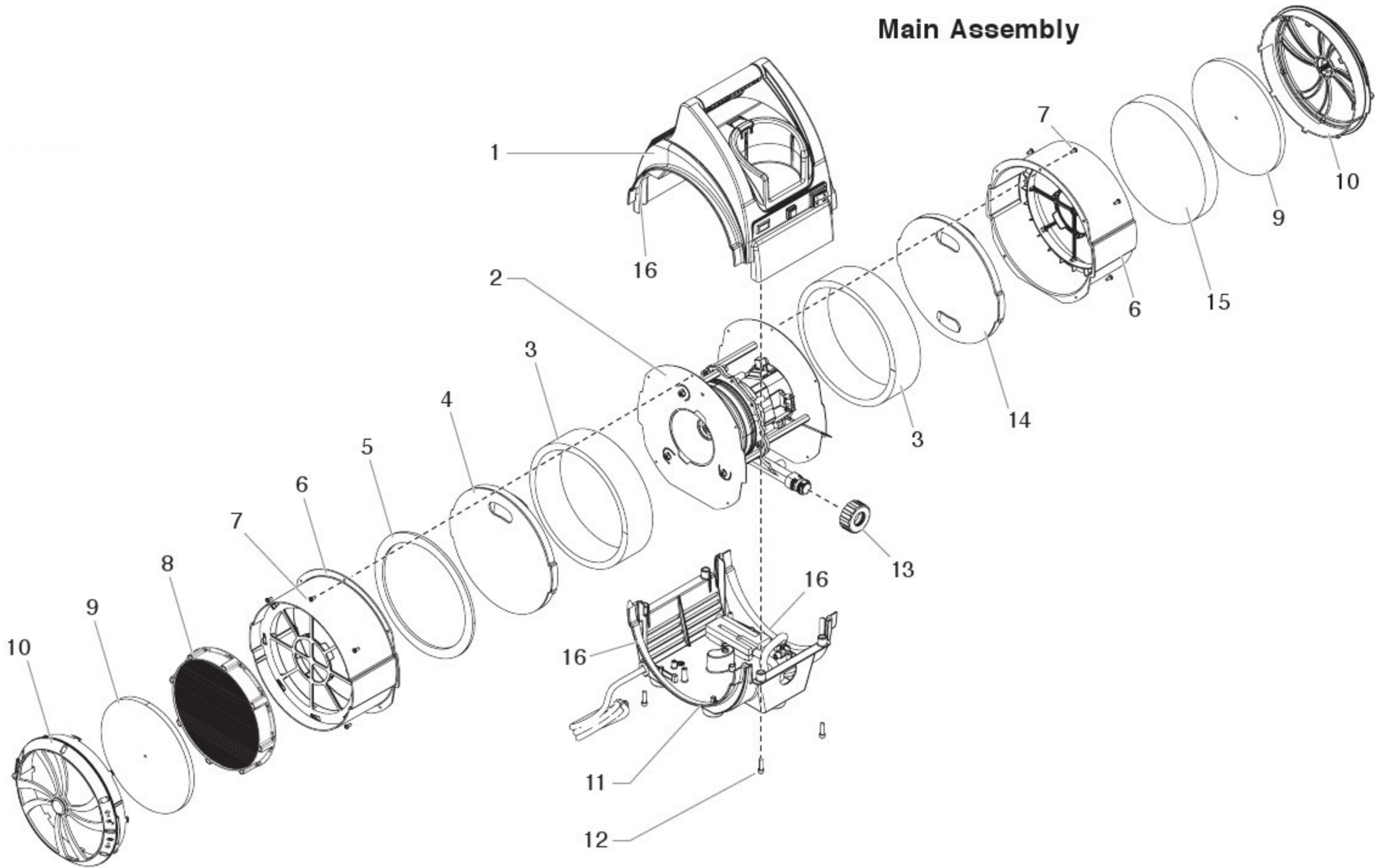
1. Periodically wipe the outer surface of the air hose with a damp cloth to keep clean.

**IMPORTANT: DO NOT submerge into or flush the air hose with water or any chemical.**

**IMPORTANT: DO NOT use methylethylketon (MEK), naphtha, mineral spirits, paint thinner, xylol/xylene, or toluene/ toluene to clean the air hose. Exposure over time could cause damage to the hose.**

**IMPORTANT: Store indoors with the cord wrapped around the handle.**

## Parts List Main Assembly

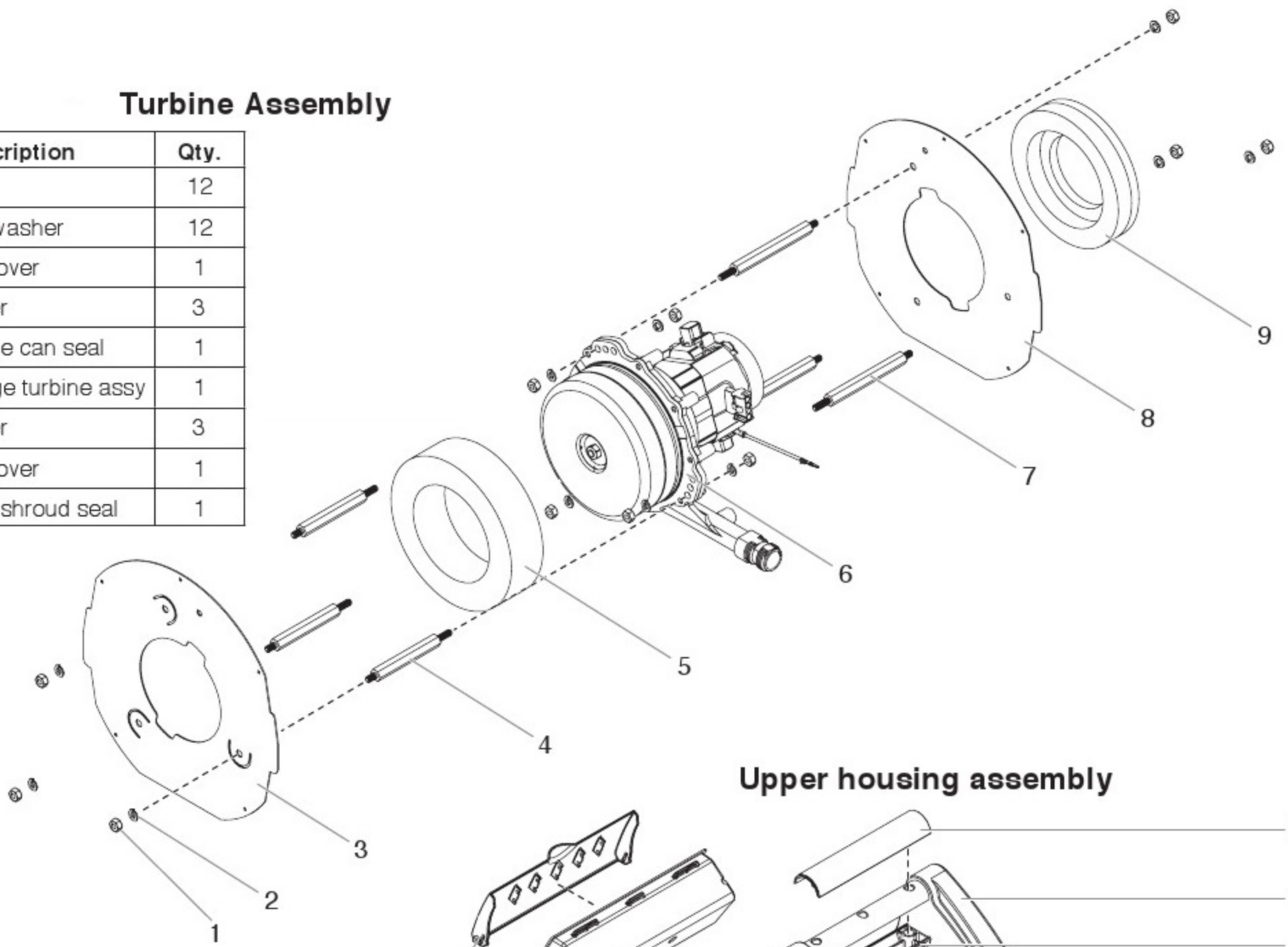


Item Art. Art.	Part No. N° de pièce Pieza No.	English Description	Qty. Qte. Cant.
1	-----	Upper housing assembly (see separate listing)	1
2	-----	4-Stage turbine assembly, 120V (see separate listing)	1
3	0524927	Sidewall silencer	2
4	0524593A	Silencer assembly	1
5	0524524	Sealing foam	1
6	0524948	Filter can	2
7	0293395	Screw	10
8	0524523A	Filter	1
9	0524526A	Pre-filter	2
10	0524949	Filter cover	2
11	-----	Lower housing assembly (see separate listing)	1
12	858-634	Screw	4
13	0524596	Exhaust ring	1
14	0524926	Silencer assembly	1
15	0524528A	Filter	1
16	0524594	Foam tape	4
	0277337	Air hose (not pictured)	1
	0153165	Viscosity cup (not pictured)	1
	0275625	Quick-disconnect, female (not pictured)	1
	0524405A	Air hose, whip (not pictured)	1
	0524041	Spray gun (not pictured)	1

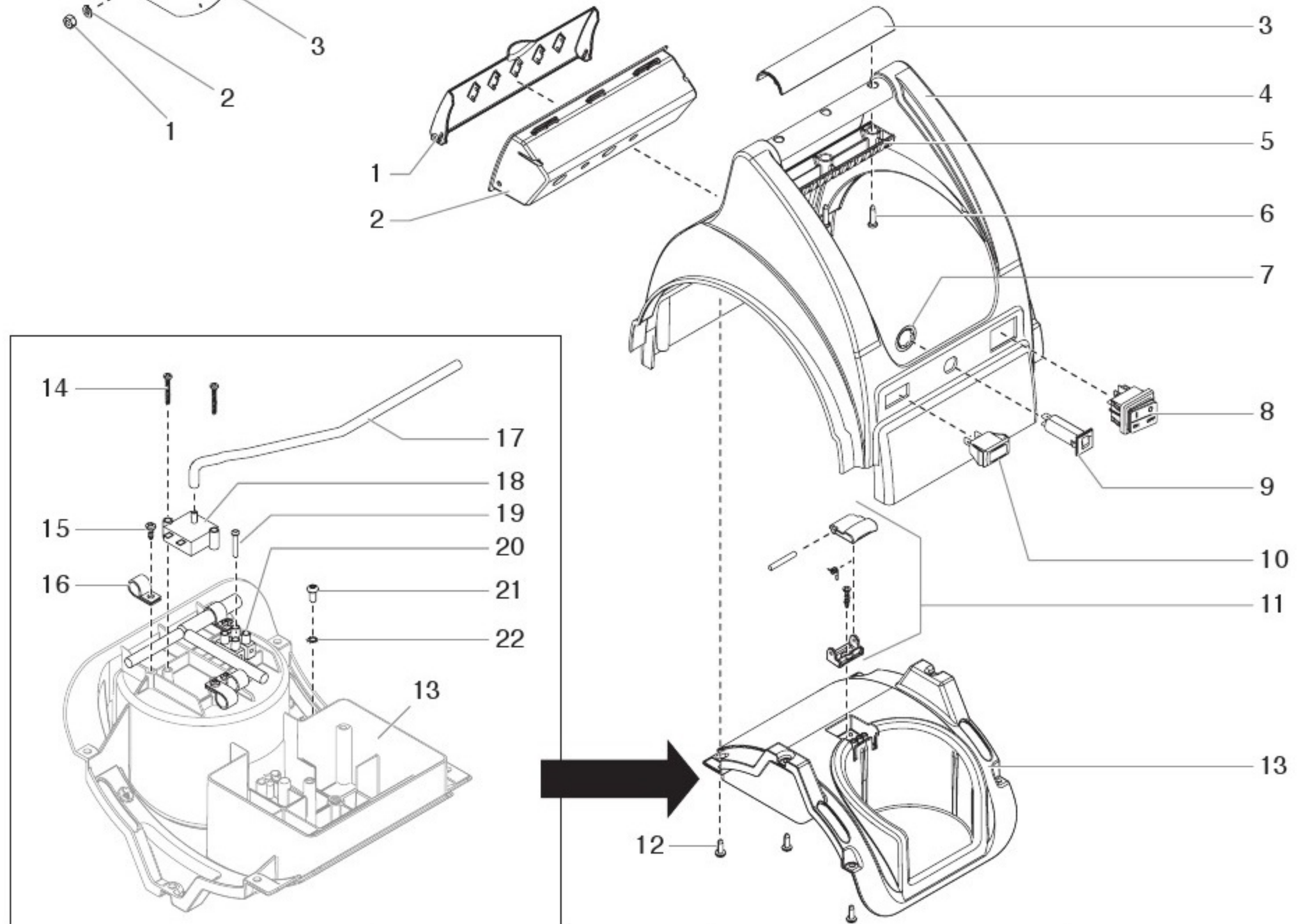


## Turbine Assembly

Item	Part No.	Description	Qty.
1	9810108	Nut	12
2	9821503	Lock washer	12
3	0523998	Can cover	1
4	0524590	Spacer	3
5	0524686	Turbine can seal	1
6	0524289	4-Stage turbine assy	1
7	0524591	Spacer	3
8	0524971A	Can cover	1
9	0524687	Motor shroud seal	1



## Upper housing assembly



Item	Part No.	Description	Qty.
1	0524537	Tool box door	1
2	0524538	Tool box	1
3	0524557	Top handle	1
4	0524531A	Upper housing	1
5	0524558	Lower handle	1
6	9802266	Screw	3
7	0524963	Lock washer	1
8	0524553	Switch	1
9	0524549	Circuit breaker switch kit, 15A	1
10	0524547	Warning light assembly, 120V	1
11	0524996	Electrical cover assembly	1

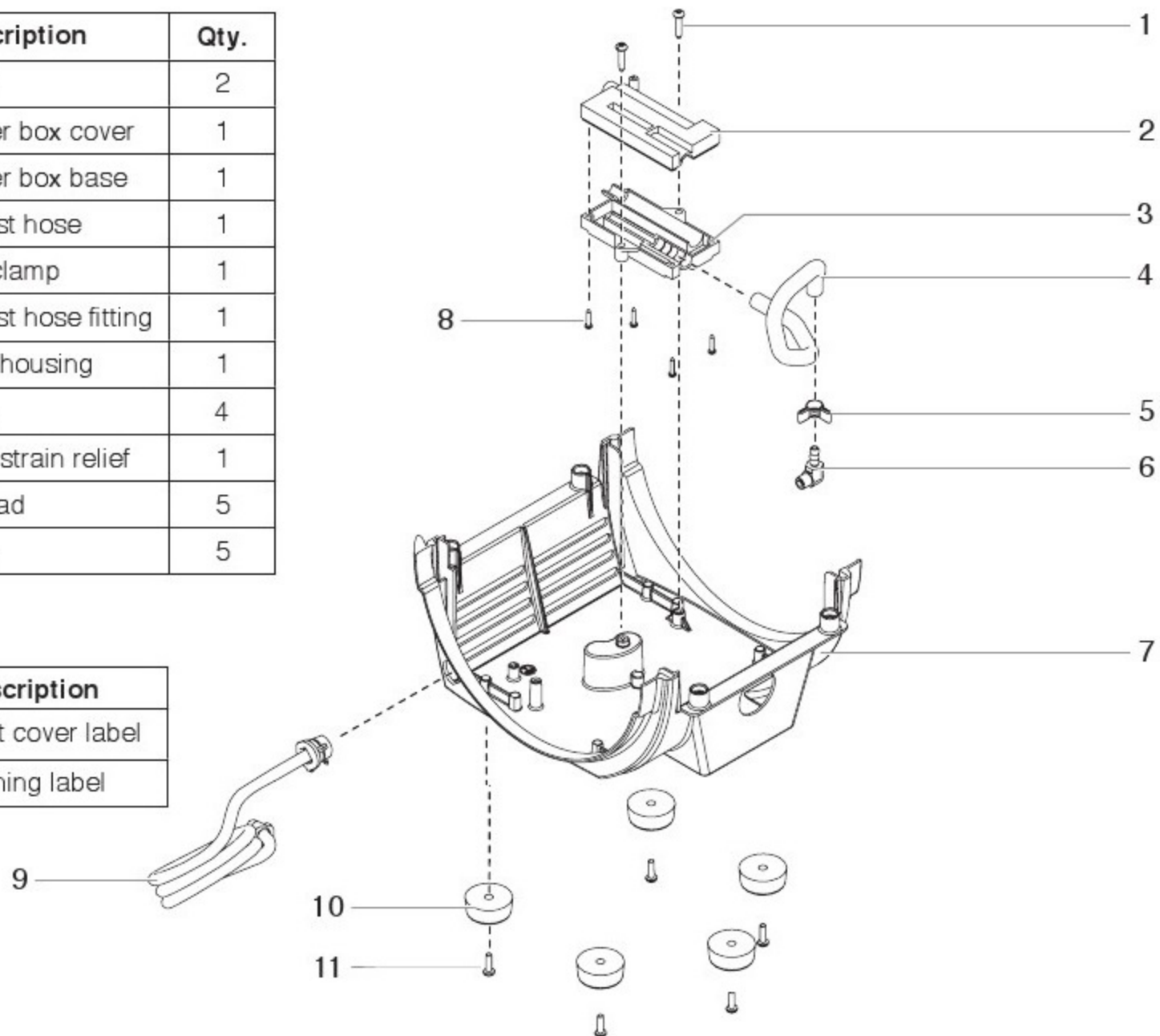
Item	Part No.	Description	Qty.
12	9803104	Screw	6
13	0524536	Cup holder	1
14	9805386	Screw	2
15	9802265	Screw	4
16	0524566	Cable clamp	4
17	0277475	Tube	1
18	0277472	Air flow switch	1
19	9802905	Screw	1
20	0524625	Wire assembly	1
21	9805287	Ground screw	1
22	9822106	Lock washer	1

## Lower housing assembly

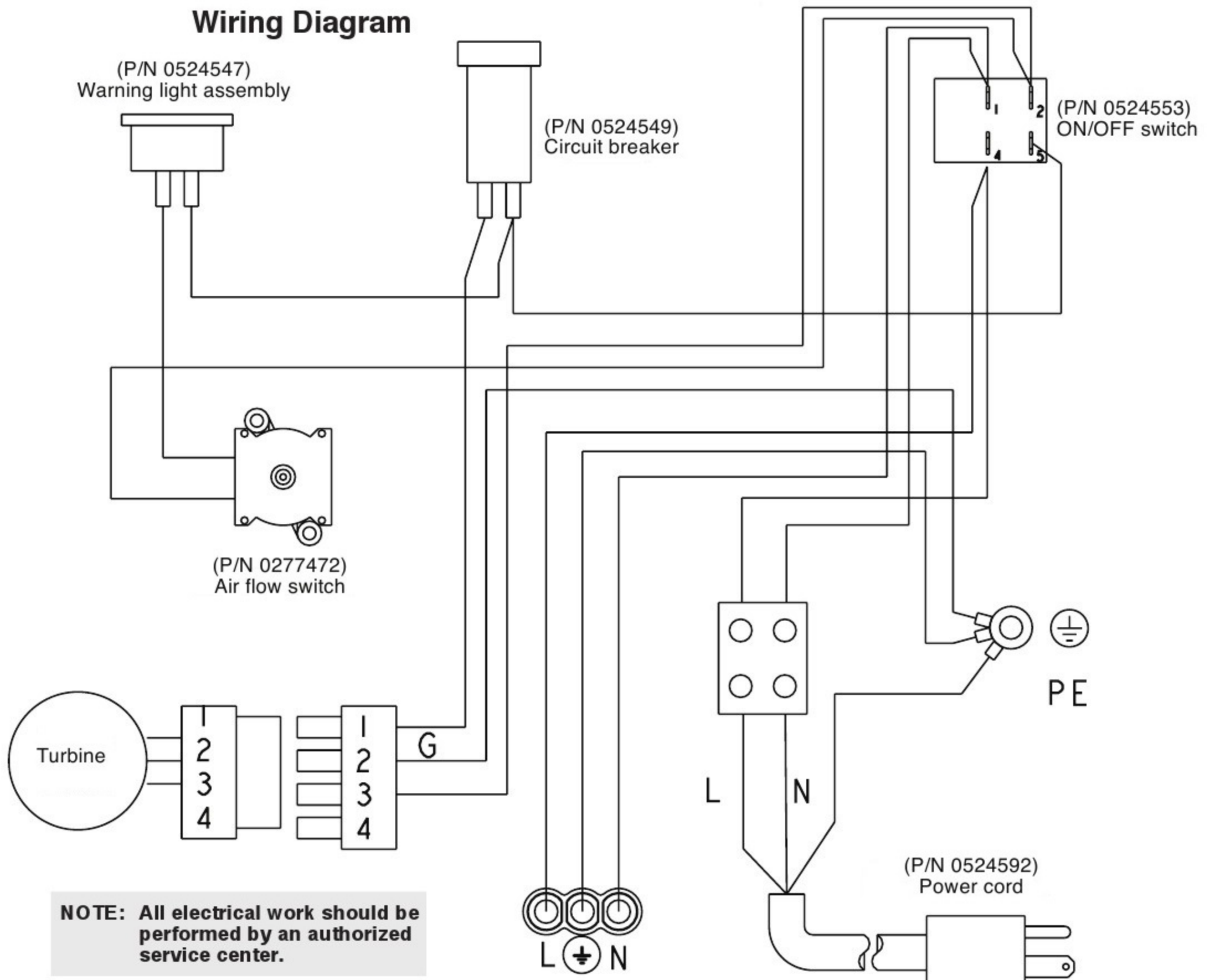
Item	Part No.	Description	Qty.
1	9805387	Screw	2
2	0277443	Bleeder box cover	1
3	0277442	Bleeder box base	1
4	9881911	Exhaust hose	1
5	0276512	Hose clamp	1
6	0276511	Exhaust hose fitting	1
7	0524532A	Lower housing	1
8	9802213	Screw	4
9	0524592	Cord / strain relief	1
10	0090628	Foot pad	5
11	9802222	Screw	5

### Labels

Part No.	Description
0524852	Front cover label
0277630	Warning label



### Wiring Diagram



**NOTE: All electrical work should be performed by an authorized service center.**