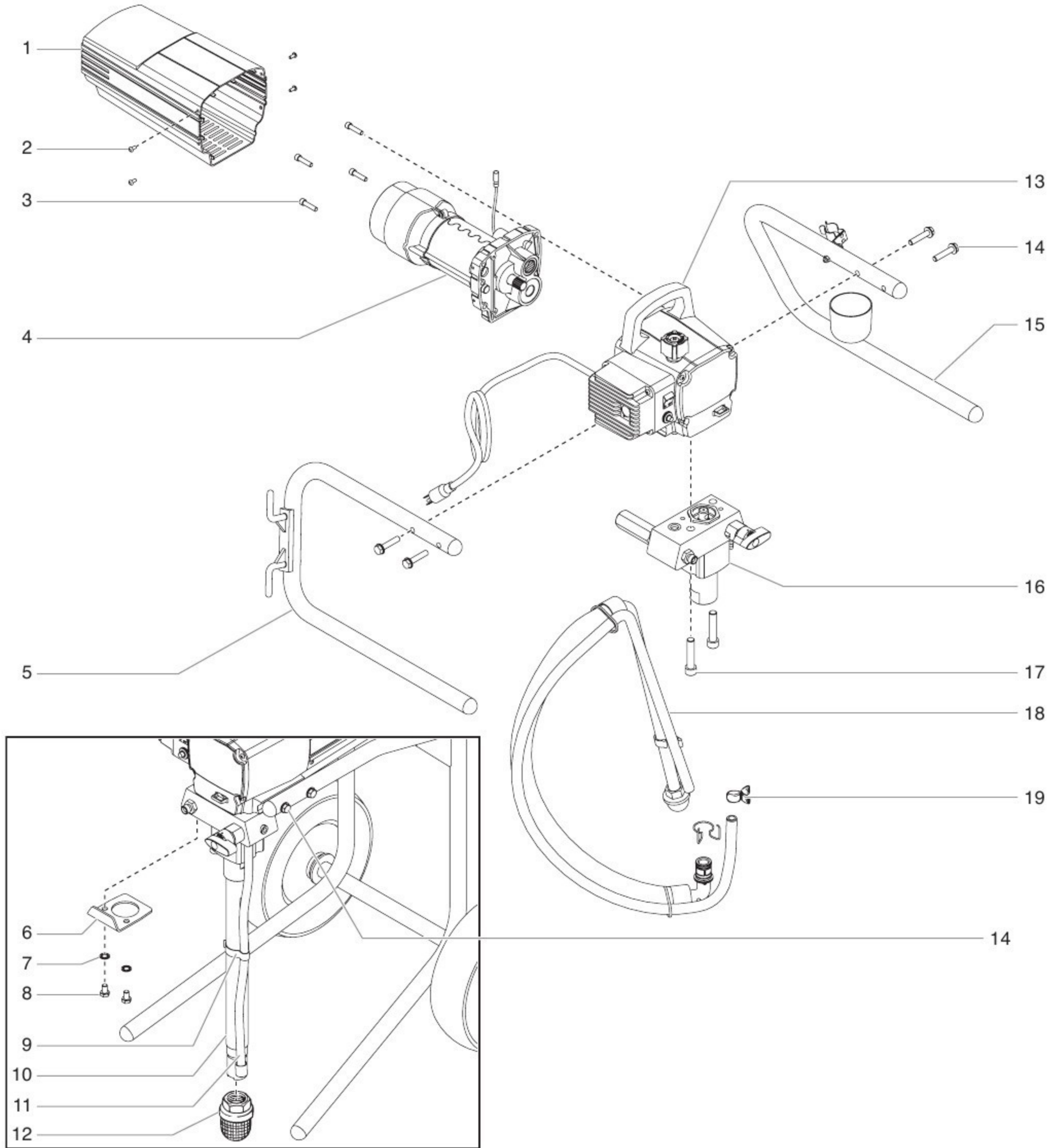


**Parts List**  
**Main Assembly**

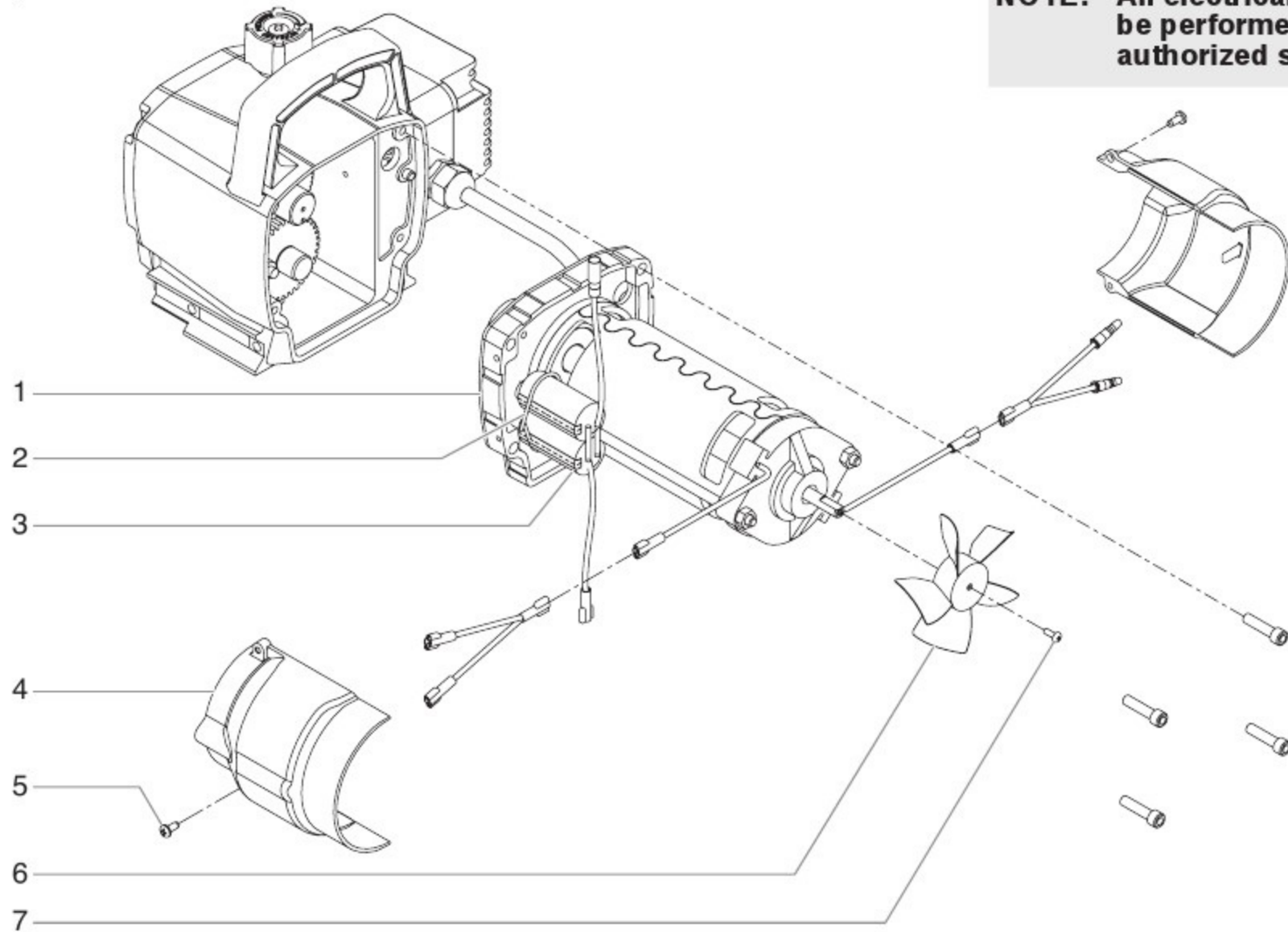
# Advantage 400



Item	Part #	Description	Quantity	Item	Part #	Description	Quantity
1	0558302	Motor cover.....	1	13	-----	Gear box assembly.....	1
2	0551440	Screw.....	4	14	0509550	Screw (stand) .....	4
3	9800308	Screw.....	4		0509550	Screw (upright cart)	
4	-----	Motor assembly .....	1		765-091	Screw (low boy)	
5	0551526	Left leg assembly (stand only).....	1	15	0551524	Right leg assembly (stand only) .....	1
6	0551553	Pail hook (upright cart only)		16	0552754	Fluid section assembly	
7	763-552	Washer (upright cart only) .....	2			(stand and low boy cart) .....	1
8	710-033	Screw (upright cart only).....	2		0552762	Fluid section assembly (upright cart)	
9	730-334	Hose clip (upright cart only).....	1	17	704-117	Screw.....	2
10	705-054	Siphon tube (upright cart only) .....	1	18	805-257A	Suction set assembly	
11	0551556	Return hose (upright cart only).....	1			(stand and low boy cart) .....	1
12	710-046	Inlet screen (upright cart only) .....	1	19	0327226	Return hose clamp .....	1

## Motor Assembly

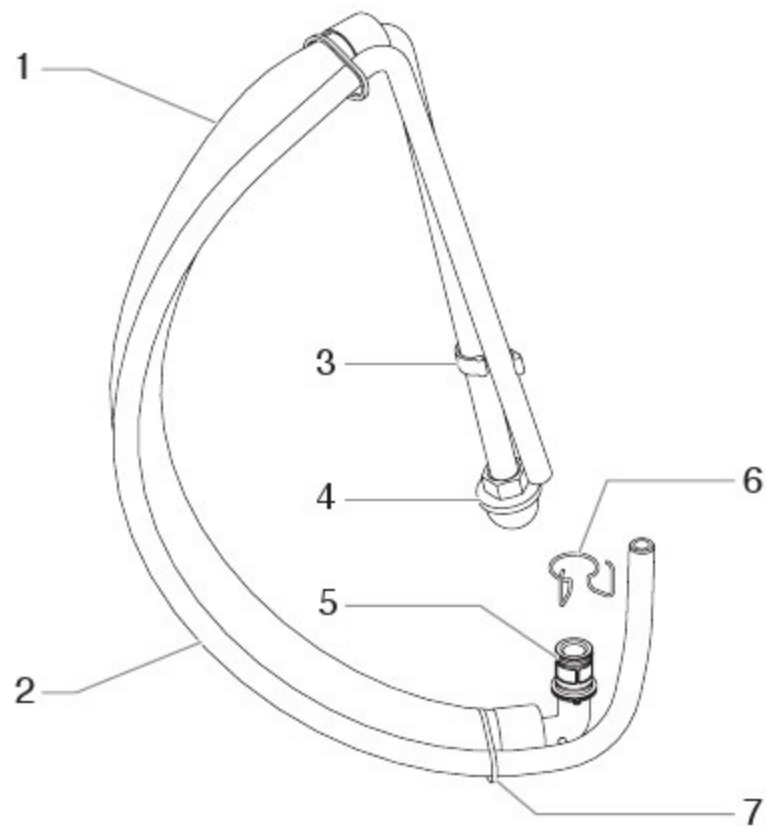
**NOTE:** All electrical work should be performed by a Titan authorized service center.



Item	Part #	Description	Quantity
1	0551540	Motor assembly (includes items 2-7 and items 25, 29, and 30 in the Gear Box Assembly parts list).....	1
2	770-099	Tie wrap.....	1
3	704-206	Capacitor.....	1

Item	Part #	Description	Quantity
4	704-285A	Fan shroud .....	2
5	9802891	Screw.....	2
6	704-250	Fan .....	1
7	9804916	Fan screw.....	1
	0508645	Motor Brush Kit	

## Suction Set Assembly



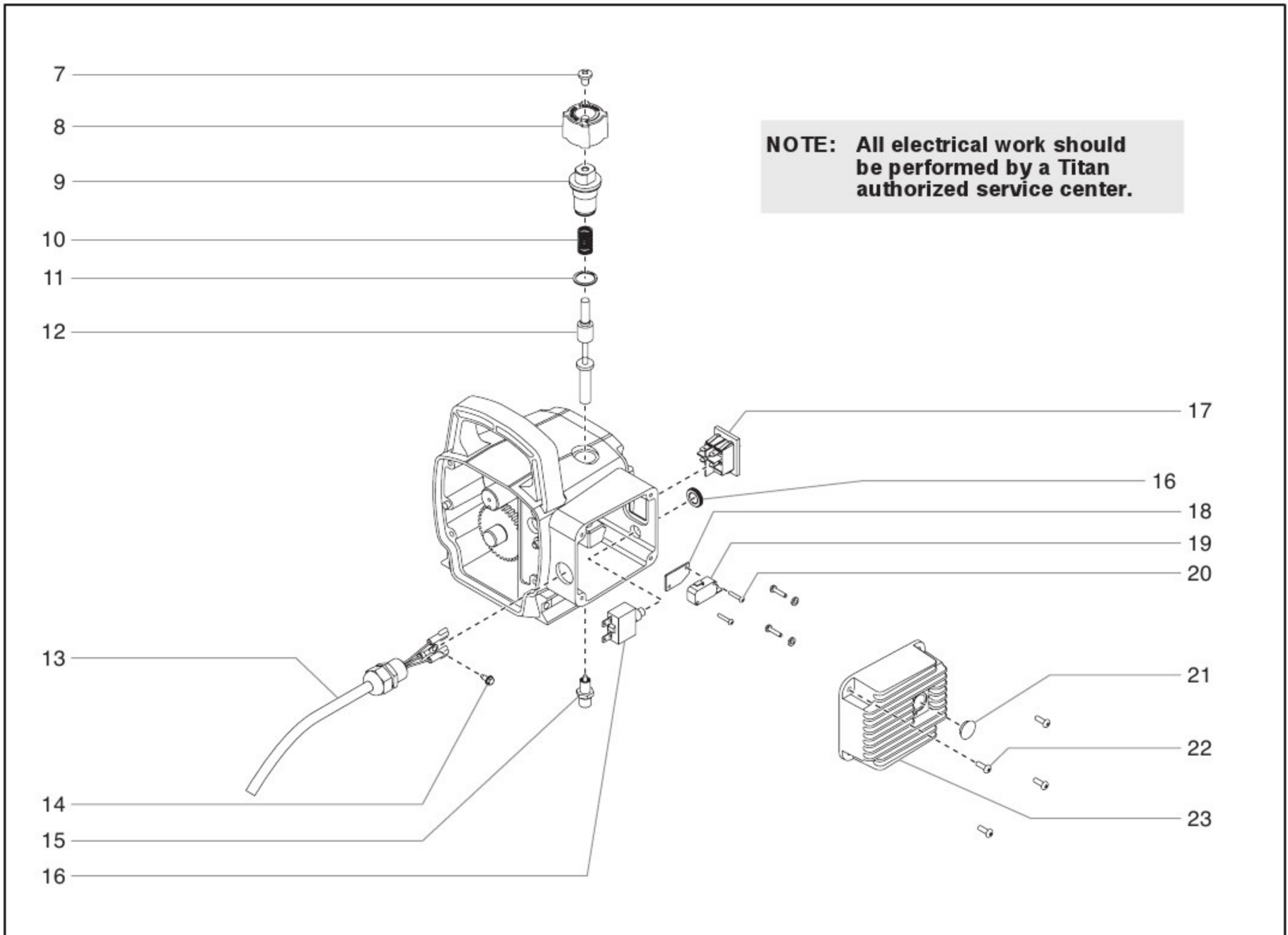
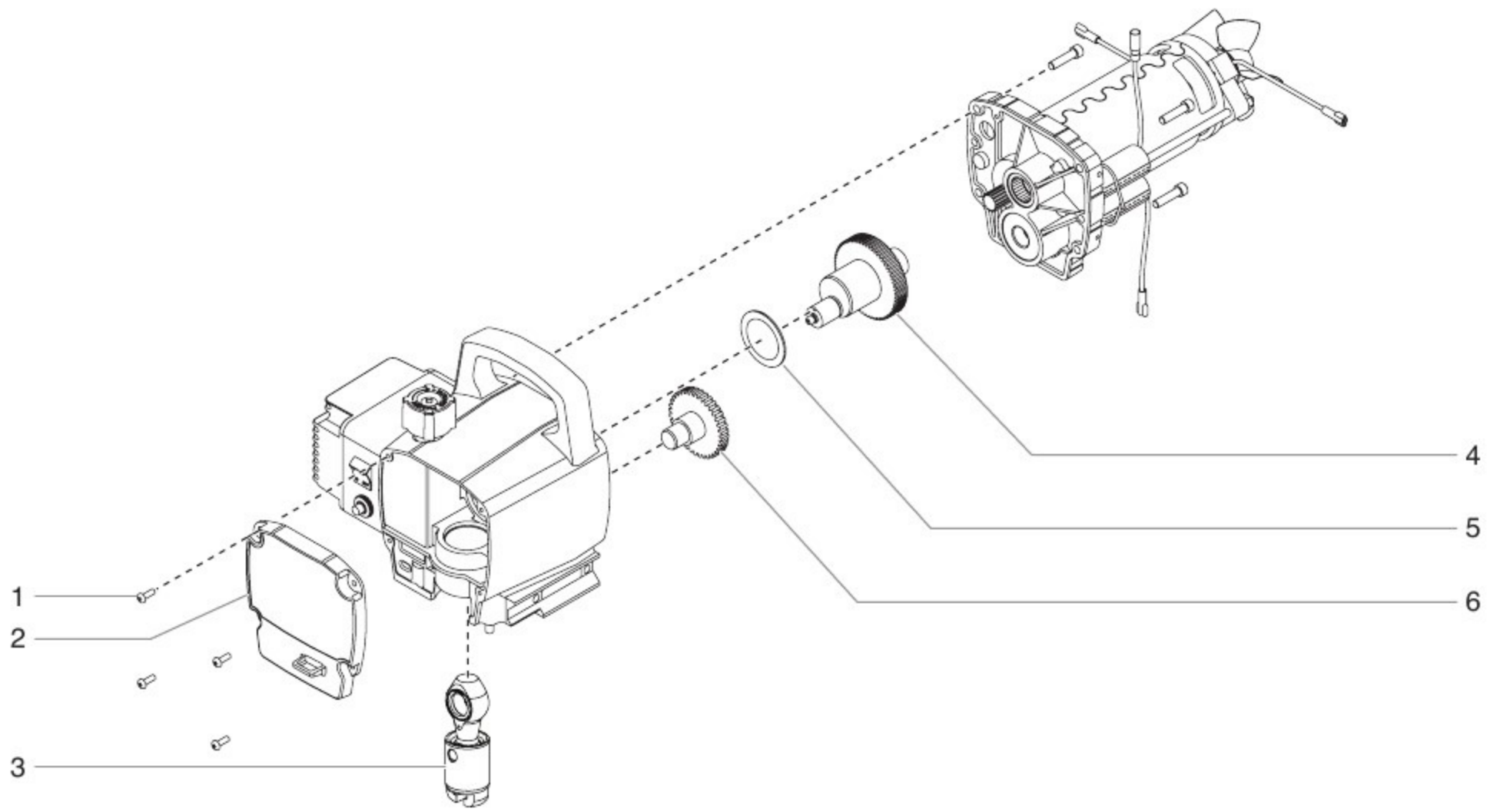
Item	Part #	Description	Quantity
1	0551705	Siphon tube assembly (includes items 1-7).....	1
2	0551707	Return hose.....	1
3	0279459	Hose clip.....	1
4	700-805	Inlet screen.....	1
5	9871105	O-ring.....	2
6	9822526	Retaining ring .....	1
7	9850638	Tie wrap.....	2
	704-109	O-ring (for hot solvents, optional)	

## Labels

Part #	Description
0552720	Logo label, front
0552722	Logo label, left
0552722	Logo label, right
0551485	Warning label, explosion/injection
0295805	Shock hazard label
0507856	PRIME/SPRAY label



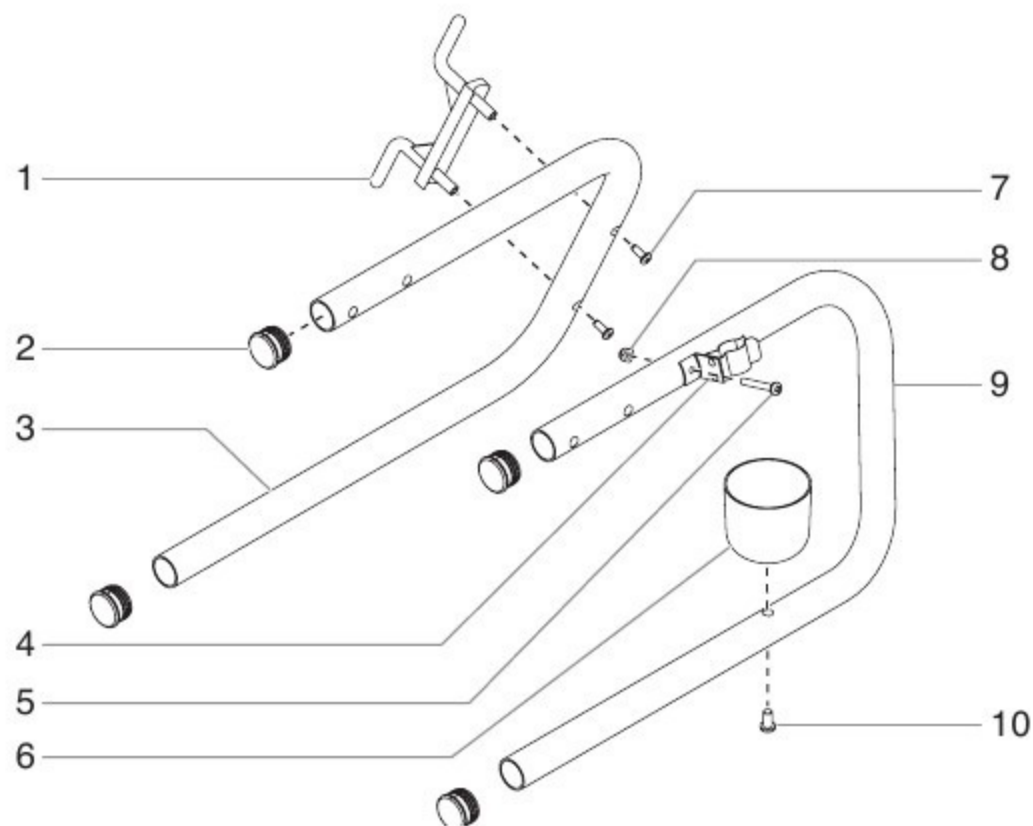
# Gear Box Assembly



Item	Part #	Description	Quantity
1	700-139	Screw.....	4
2	0558301	Front cover .....	1
3	0551541	Slider assembly .....	1
4	0508572	Crankshaft/gear assembly.....	1
5	704-174	Thrust washer.....	1
6	704-176	Second stage gear .....	1
7	0509219	Screw.....	1
8	700-771	Pressure control knob.....	1
9	0551522	Knob housing.....	1
10	02712	Knob spring .....	1
11	9822522	Washer .....	1
12	806-032	Plunger .....	1
13	800-741	Power cord assembly (stand).....	1
	806-213	Power cord assembly (low boy and upright cart)	

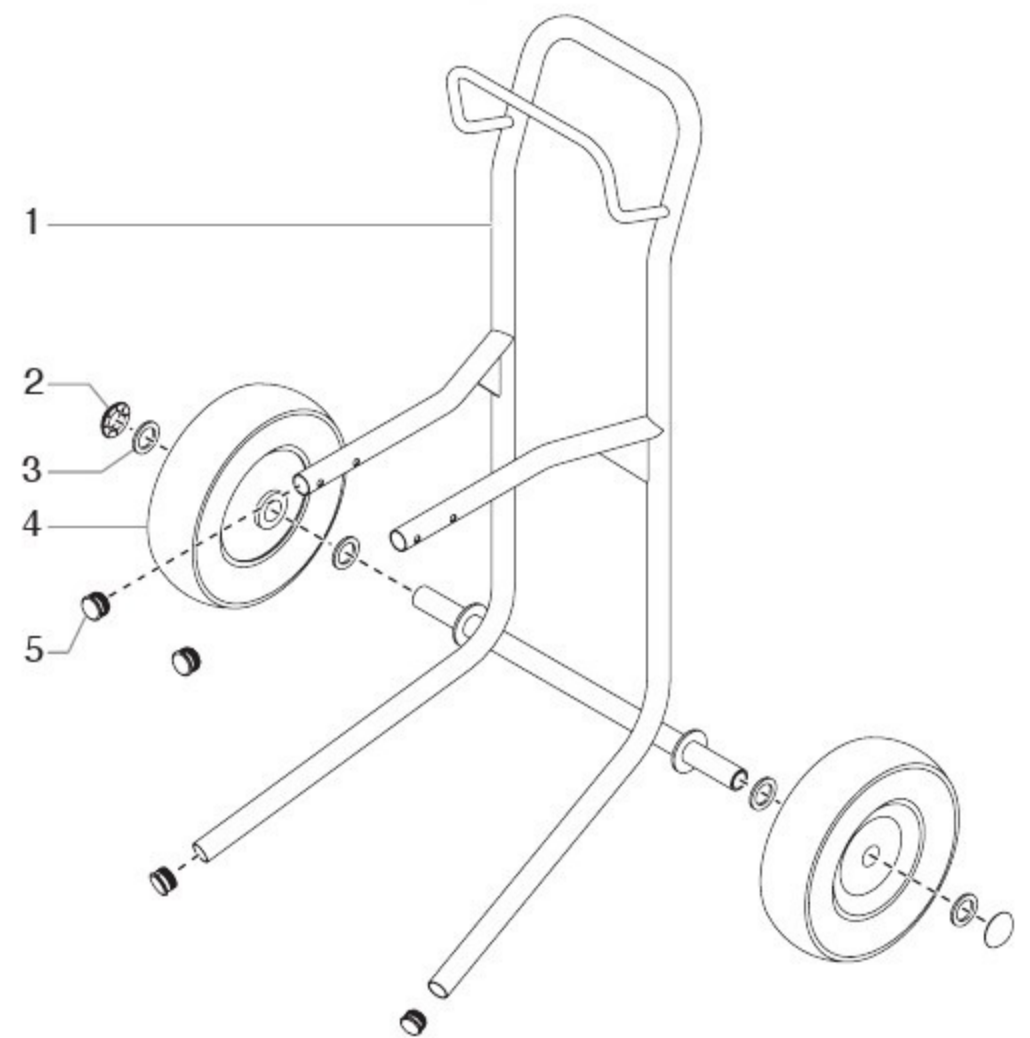
Item	Part #	Description	Quantity
14	9800340	Ground screw.....	1
15	0551112	Transducer assembly (includes o-ring) ....	1
16	704-211A	Circuit breaker .....	1
17	9850936	ON/OFF switch.....	1
18	03662	Microswitch insulator .....	1
19	0295490	Microswitch.....	1
20	9800604	Screw.....	2
21	704-281	Port plug .....	1
22	700-139	Screw.....	4
23	0523527	Heat sink / relay assembly.....	1
	0551520	Mechanical control assembly (includes items 9-12)	

### Stand Assembly



Item	Part #	Description	Quantity
1	700-761	Cord wrap .....	1
2	9885546	Plug .....	4
3	0551526	Left leg assembly (includes items 1, 2, and 7) .....	1
4	704-244	Clip assembly .....	1
5	0551434	Screw.....	1
6	700-1041	Drip cup .....	1
7	700-069	Screw.....	2
8	226-001	Nut.....	1
9	0551524	Right leg assembly (includes items 2, 4, 5, 6, 8, and 10)	
10	9805230	Screw.....	1

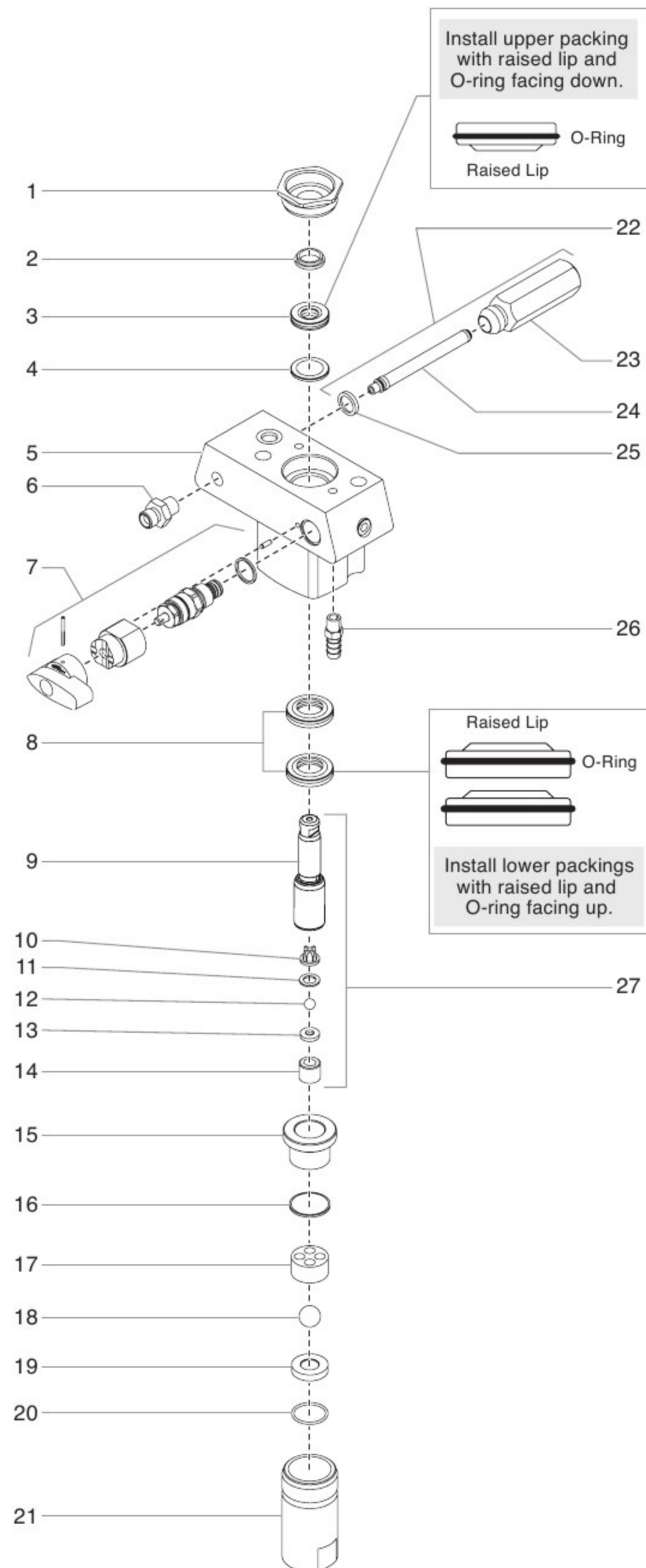
### Upright Cart Assembly (P/N 0551110)



Item	Part #	Description	Quantity
1	0551660	Cart weldment (includes item 5).....	1
2	9890104	Cap .....	2
3	0294534	Spacer .....	4
4	0278373	Wheel .....	2
5	9885546	Plug .....	4

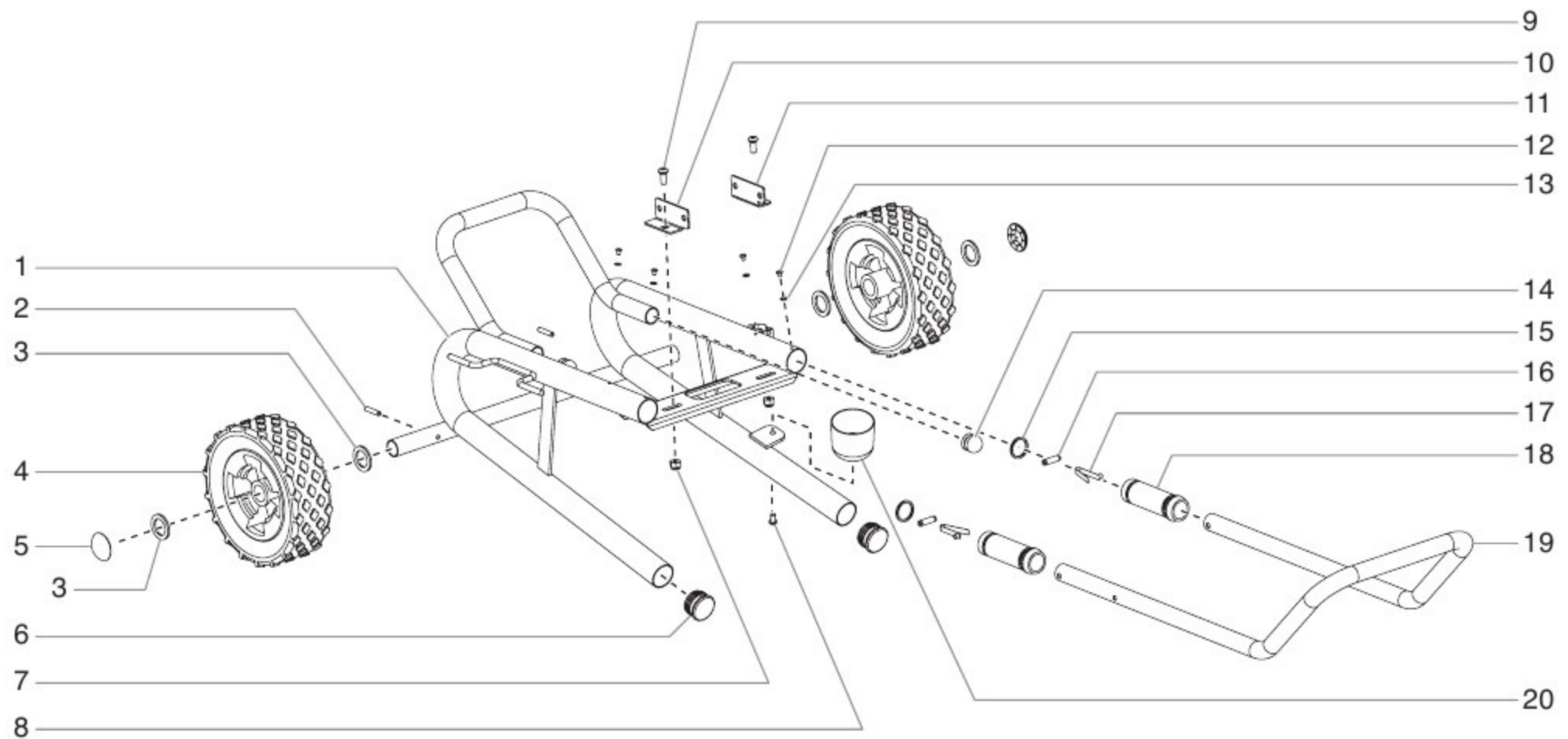


**Fluid Section Assembly**  
**(Stand and Low Boy Cart P/N 0552754)**  
**(Upright Cart P/N 0552762)**



Item	Part #	Description	Quantity
1	730-508	Retainer nut.....	1
2	700-587	Piston guide.....	1
3	-----	Upper packing assembly.....	1
4	806-091	Spacer.....	1
5	0551531	Pump manifold.....	1
6	227-006	Outlet fitting, 1/4".....	1
7	0507690	PRIME/SPRAY valve assembly.....	1
8	-----	Lower packing assembly.....	2
9	704-551A	Piston rod.....	1
10	704-557	Outlet valve cage.....	1
11	704-612	Crush washer.....	1
12	50164	Outlet valve ball.....	1
13	704-558	Outlet valve seat.....	1
14	13481	Outlet valve retainer.....	1
15	704-289	Piston bushing.....	1
16	700-821	Nylon washer.....	1
17	704-703	Inlet valve cage.....	1
18	762-145	Inlet valve ball.....	1
19	762-137	Inlet valve seat.....	1
20	762-058	O-ring, Teflon.....	1
21	704-054	Inlet valve housing (stand and low boy cart)..	1
	730-511	Inlet valve housing (upright cart)	
22	0551532	Filter assembly (includes items 23-25)....	1
23	0516775	Filter housing.....	1
24	581-060	Filter.....	1
25	560-038	Filter seal.....	1
26	193-200	Fitting, 1/8 NPT x 1/4 barb hose	
		(upright cart).....	1
	9885612	Fitting, 1/8 NPT x 3/8 barb hose	
		(stand and low boy cart).....	1
27	704-552A	Piston assembly (includes items 9-13)....	1
	0552951	Repacking kit (includes items 2-4, 8	
		10-12, 16, 18, and 20)	
	0551509	Lower seal insertion tool	

# Low Boy Cart Assembly



Item	Part #	Description	Quantity	Item	Part #	Description	Quantity
1	0551608	Cart weldment (includes items 6 and 14)	1	12	856-921	Screw	4
2	704-291	Roll pin	2	13	856-002	Washer	4
3	0294534	Wheel spacer	4	14	806-033	Plug	2
4	0270394	Wheel	2	15	590-506	Handle washer	2
5	9890104	Cap	2	16	590-508	Roll pin	2
6	9885546	Plug	2	17	9841504	Snap button	2
7	0295615	Lock nut	2	18	590-504	Sleeve	2
8	9805230	Screw	1	19	0551609	Handle assembly (includes items 12, 13, and 15-18)	1
9	773-918	Screw	2	20	700-1041	Drip cup	1
10	0551551	Mounting bracket, left	1				
11	0551552	Mounting bracket, right	1				

## Electrical Schematic

**NOTE: All electrical work should be performed by a Titan authorized service center.**

