

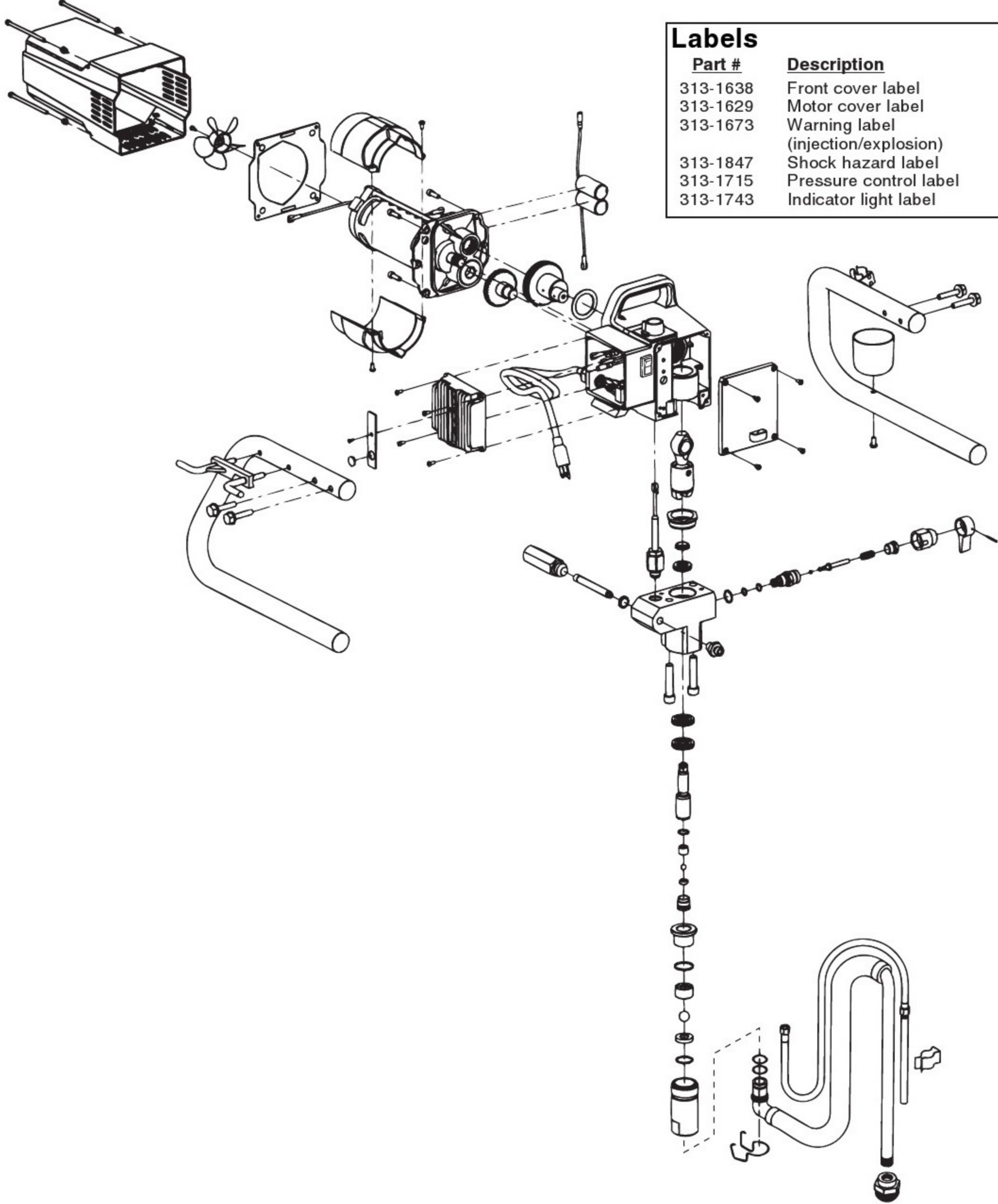


# ***440i*** ***Airless Sprayer*** ***Parts Lists***



# Parts List

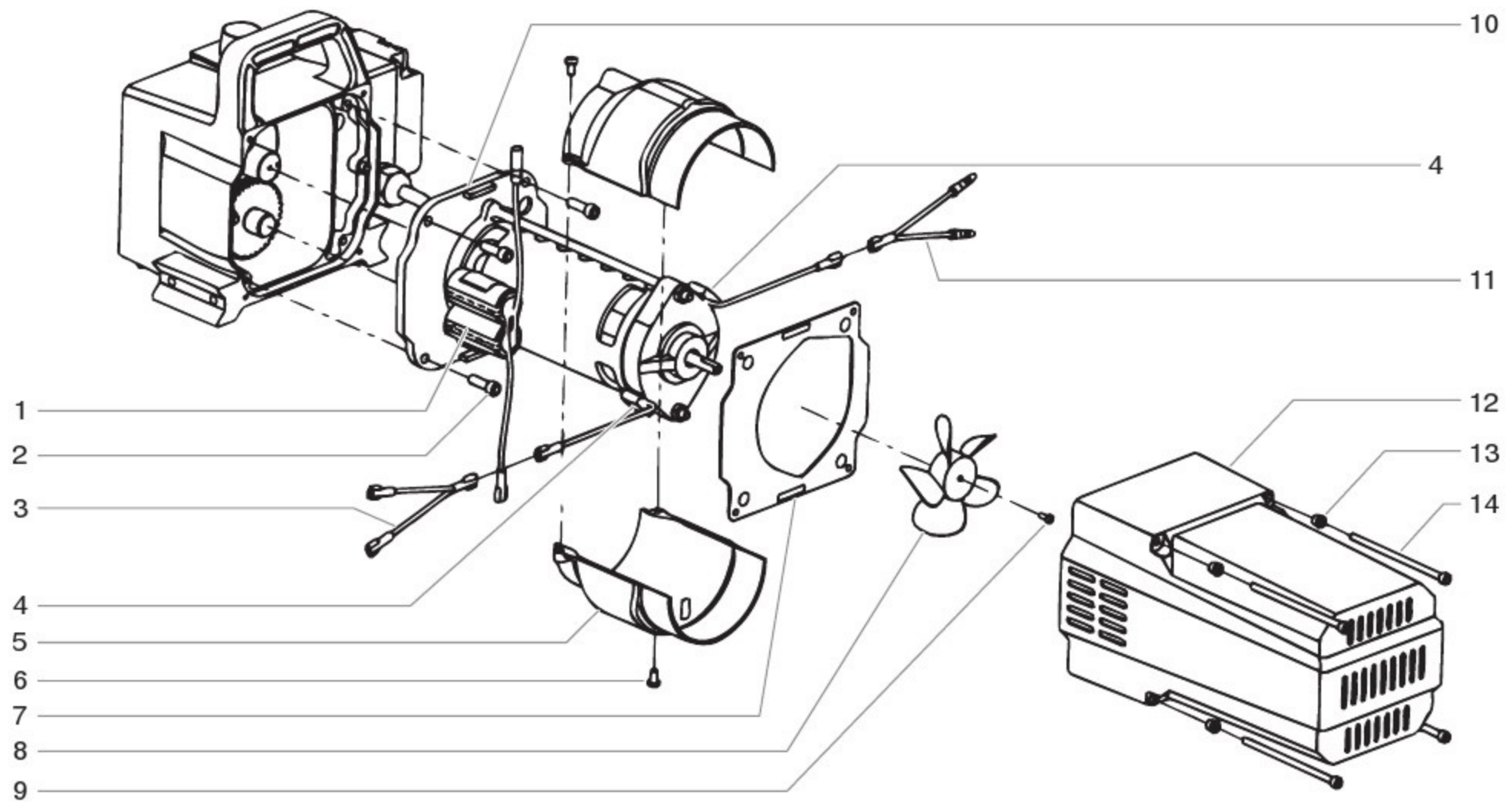
## Main Assembly



### Labels

| Part #   | Description                            |
|----------|--|
| 313-1638 | Front cover label                      |
| 313-1629 | Motor cover label                      |
| 313-1673 | Warning label<br>(injection/explosion) |
| 313-1847 | Shock hazard label                     |
| 313-1715 | Pressure control label                 |
| 313-1743 | Indicator light label                  |

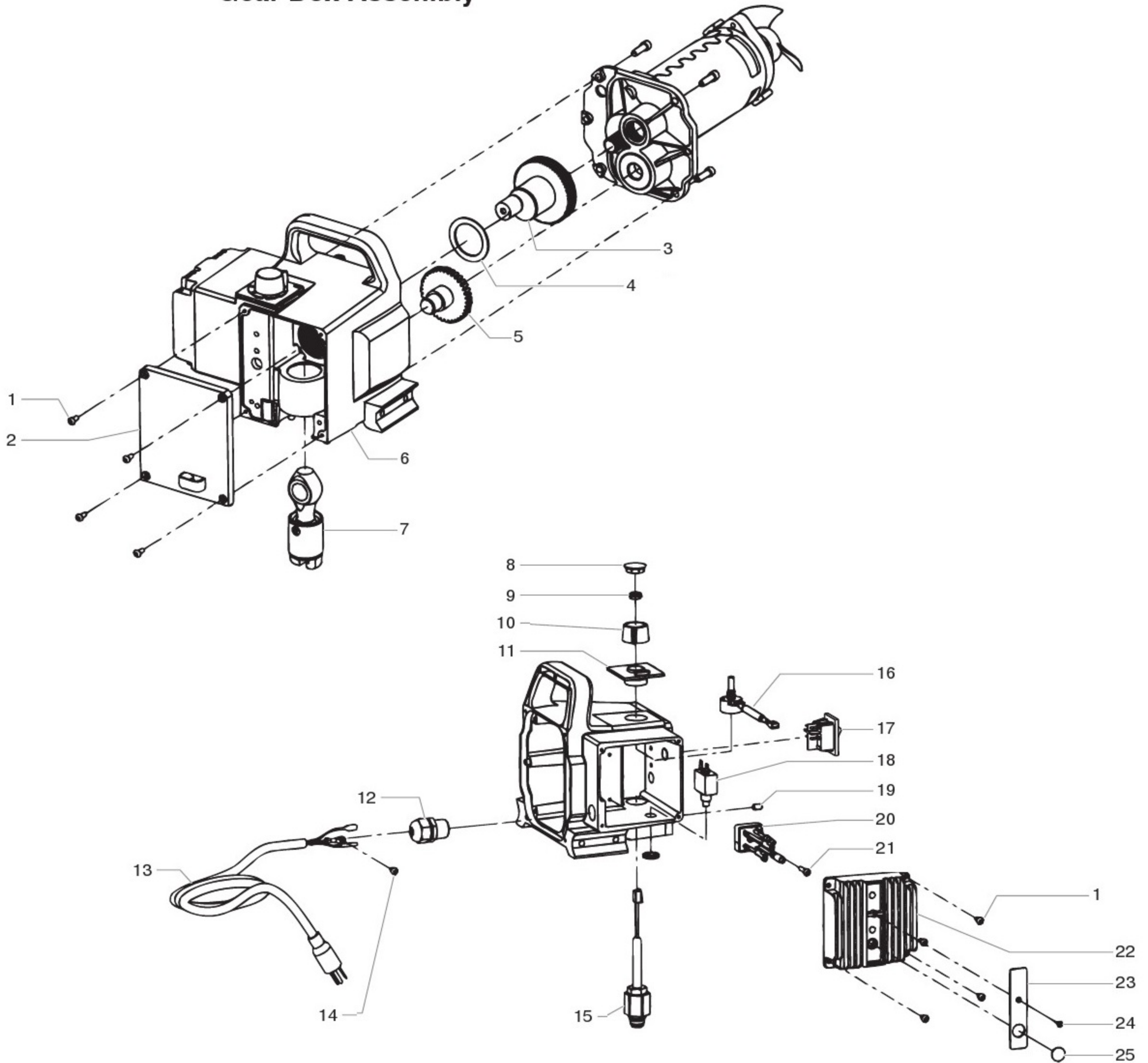
# Motor Assembly



## English

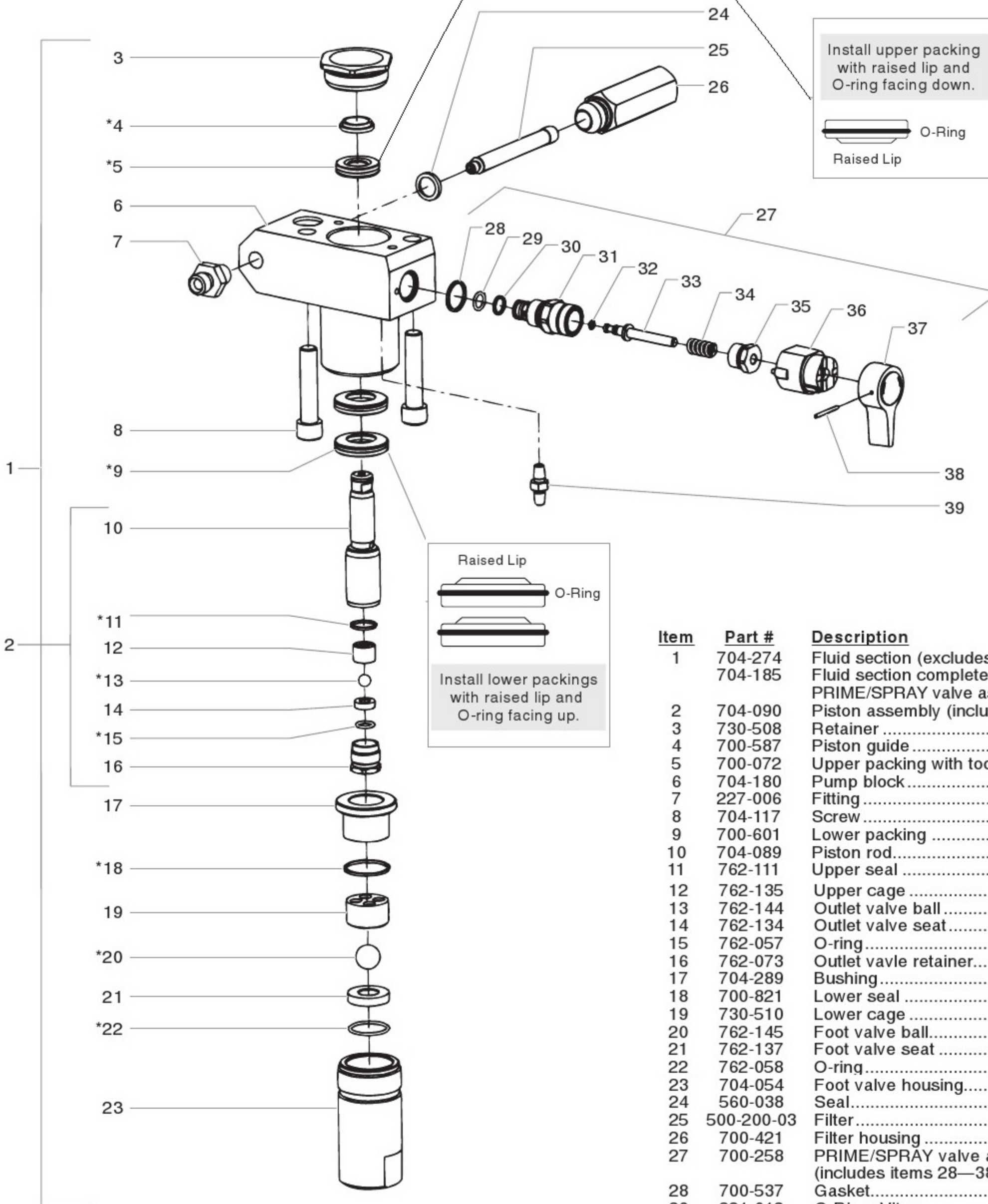
| Item | Part #  | Description                                 | Quantity | Item | Part #  | Description  | Quantity |
|------|---------|---|----------|------|---------|--|----------|
| 1    | 704-363 | Capacitor/rectifier kit .....               | 1        | 9    | 854-915 | Screw .....  | 1        |
| 2    | 700-681 | Screw .....                                 | 4        | 10   | 704-277 | Motor, complete<br>(includes items 1, 5, 6, 8, & 9)..... | 1        |
| 3    | 704-269 | Y adapter (negative, black).....            | 1        | 11   | 704-258 | Y adapter (positive, red) .....                          | 1        |
| 4    | 704-276 | Brush kit<br>(includes retainer caps) ..... | 1        | 12   | 704-264 | Motor cover w/labels.....                                | 1        |
| 5    | 704-285 | Shroud .....                                | 2        | 13   | 704-332 | Grommet.....   | 4        |
| 6    | 704-322 | Shroud screw .....                          | 2        | 14   | 704-181 | Screw .....  | 4        |
| 7    | 704-331 | Gasket .....                                | 1        | 15   | 770-099 | Tie wrap (not shown) .....                               | 1        |
| 8    | 704-250 | Motor fan.....                              | 1        | 16   | 314-991 | Tape (not shown).....                                    | 1        |

# Gear Box Assembly



| Item | Part #  | Description                    | Quantity | Item | Part #  | Description   | Quantity |
|------|---------|--------------------------------|----------|------|---------|---|----------|
| 1    | 700-139 | Screw.....                     | 8        | 15   | 704-251 | Transducer assembly .....   | 1        |
| 2    | 704-341 | Front cover w/label .....      | 1        | 16   | 700-158 | Potentiometer .....   | 1        |
| 3    | 704-173 | Crankshaft/gear assembly ..... | 1        | 17   | 704-380 | ON/OFF switch .....   | 1        |
| 4    | 704-174 | Thrust washer .....            | 1        | 18   | 704-211 | Circuit breaker .....   | 1        |
| 5    | 704-176 | 2nd stage gear.....            | 1        | 19   | 710-127 | Set screw .....   | 1        |
| 6    | 704-172 | Pump housing.....              | 1        | 20   | 704-363 | Capacitor/rectifier kit (includes item 21) .....                            | 1        |
| 7    | 700-735 | Connecting rod .....           | 1        | 21   | 704-323 | Screw .....   | 1        |
| 8    | 700-175 | Cap .....                      | 1        | 22   | 704-278 | Electronic pressure control complete<br>w/cover (includes items 23–25)..... | 1        |
| 9    | 700-176 | Seal.....                      | 1        | 23   | 704-279 | LED cover .....   | 1        |
| 10   | 700-159 | Pressure control knob.....     | 1        | 24   | 704-282 | Screw .....   | 1        |
| 11   | 704-303 | Potentiometer mount .....      | 1        | 25   | 704-281 | Port plug .....   | 1        |
| 12   | 765-063 | Strain relief.....             | 1        |      |         |   |          |
| 13   | 765-054 | Power cord.....                | 1        |      |         |   |          |
| 14   | 704-229 | Screw .....                    | 1        |      |         |   |          |

# Fluid Section Assembly



Install upper packing with raised lip and O-ring facing down.

O-Ring  
Raised Lip

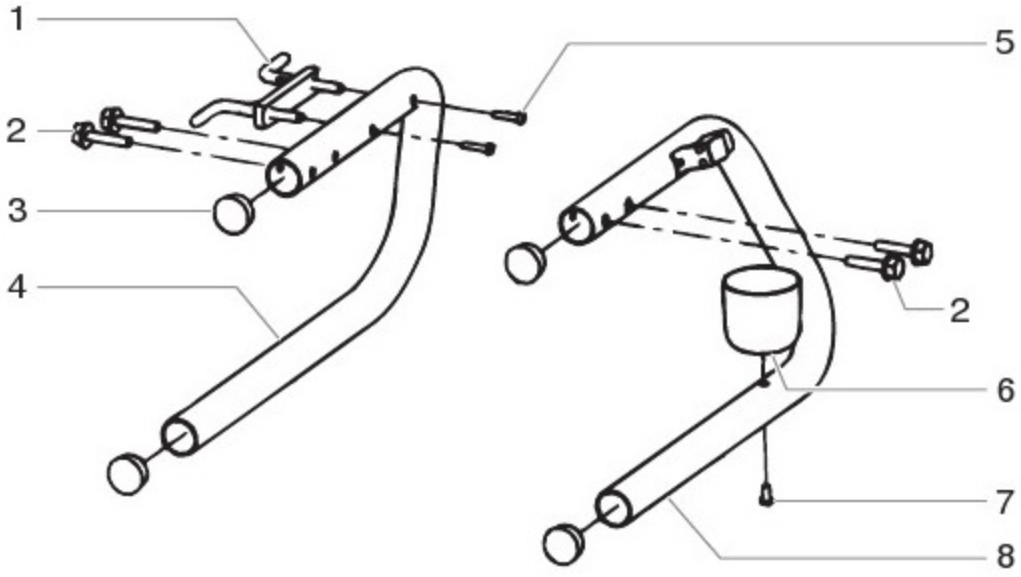
Install lower packings with raised lip and O-ring facing up.

Raised Lip  
O-Ring

**NOTE:** Packing kit P/N 730-401 Includes those items marked with an \*. Also Included are packing grease P/N 700-203 and piston guide tool P/N 700-793.

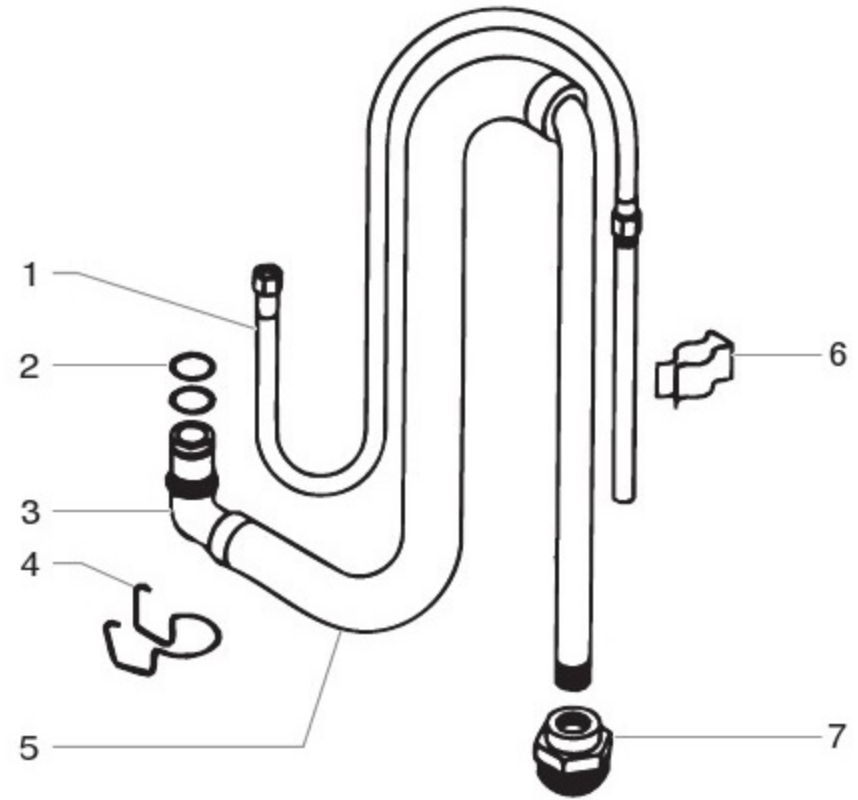
| Item | Part #     | Description   | Quantity |
|------|------------|---|----------|
| 1    | 704-274    | Fluid section (excludes items 24-27)                                    | 1        |
|      | 704-185    | Fluid section complete (includes filter and PRIME/SPRAY valve assembly) | 1        |
| 2    | 704-090    | Piston assembly (includes items 10-16)                                  | 1        |
| 3    | 730-508    | Retainer  | 1        |
| 4    | 700-587    | Piston guide  | 1        |
| 5    | 700-072    | Upper packing with tool   | 1        |
| 6    | 704-180    | Pump block  | 1        |
| 7    | 227-006    | Fitting   | 1        |
| 8    | 704-117    | Screw   | 2        |
| 9    | 700-601    | Lower packing   | 2        |
| 10   | 704-089    | Piston rod  | 1        |
| 11   | 762-111    | Upper seal  | 1        |
| 12   | 762-135    | Upper cage  | 1        |
| 13   | 762-144    | Outlet valve ball   | 1        |
| 14   | 762-134    | Outlet valve seat   | 1        |
| 15   | 762-057    | O-ring  | 1        |
| 16   | 762-073    | Outlet valve retainer   | 1        |
| 17   | 704-289    | Bushing   | 1        |
| 18   | 700-821    | Lower seal  | 1        |
| 19   | 730-510    | Lower cage  | 1        |
| 20   | 762-145    | Foot valve ball   | 1        |
| 21   | 762-137    | Foot valve seat   | 1        |
| 22   | 762-058    | O-ring  | 1        |
| 23   | 704-054    | Foot valve housing  | 1        |
| 24   | 560-038    | Seal  | 1        |
| 25   | 500-200-03 | Filter  | 1        |
| 26   | 700-421    | Filter housing  | 1        |
| 27   | 700-258    | PRIME/SPRAY valve assembly (includes items 28-38)                       | 1        |
| 28   | 700-537    | Gasket  | 1        |
| 29   | 221-012    | O-Ring, Viton   | 1        |
| 30   | 222-012    | O-Ring, Teflon  | 1        |
| 31   | 700-246    | Valve housing   | 1        |
| 32   | 700-721    | O-Ring, Viton   | 1        |
|      | 700-897    | O-Ring, Teflon (optional)   | 1        |
| 33   | 700-250    | Valve stem  | 1        |
| 34   | 700-244    | Spring  | 1        |
| 35   | 700-248    | Valve retainer  | 1        |
| 36   | 700-252    | Cam base  | 1        |
| 37   | 700-697    | Valve handle  | 1        |
| 38   | 700-759    | Groove pin  | 1        |
| 39   | 704-273    | Fitting   | 1        |
| 40   | 762-202    | Packing tool (not shown)  | 1        |

## Stand Assembly



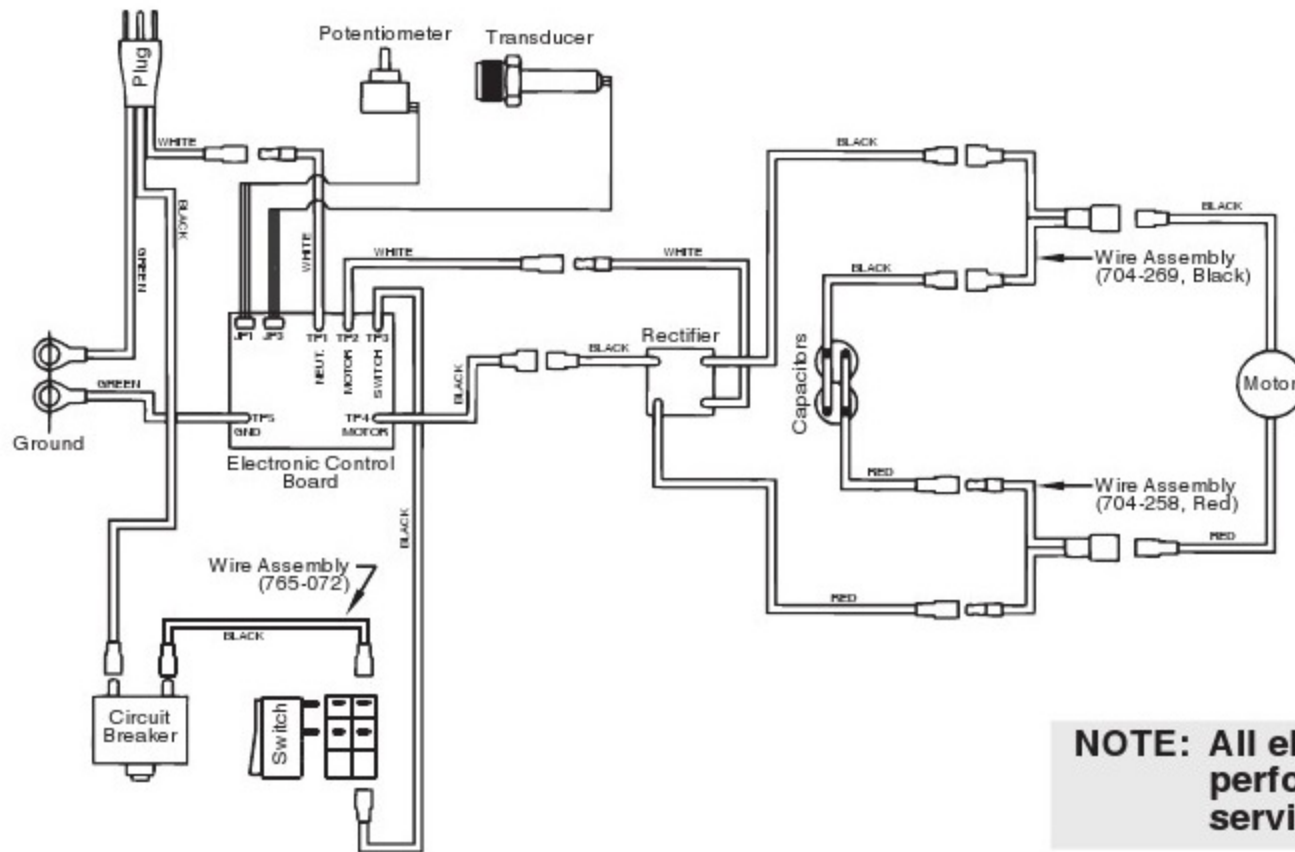
| Item | Part #   | Description  | Quantity |
|------|----------|--|----------|
| 1    | 700-761  | Cord wrap .....                                    | 1        |
| 2    | 761-178  | Screw .....  | 4        |
| 3    | 710-199  | Plug .....   | 4        |
| 4    | 704-164  | Leg, left .....                                    | 1        |
| 5    | 700-642  | Screw .....  | 2        |
| 6    | 700-1041 | Drip cup .....                                     | 1        |
| 7    | 704-188  | Screw .....  | 1        |
| 8    | 704-156  | Leg, right .....                                   | 1        |
| 9    | 704-179  | Leg, left, complete<br>(includes items 1, and 3-5) |          |
| 10   | 704-178  | Leg, right, complete<br>(includes items 3 and 6-8) |          |

## Suction Set Assembly (P/N 704-300)



| Item | Part #   | Description                                      | Quantity |
|------|----------|--|----------|
| 1    | 704-263  | Return tube assembly .....                       | 1        |
| 2    | 704-121  | O-ring .....                                     | 2        |
|      | 704-109  | O-ring (for hot solvents, optional)              |          |
| 3    | 700-1024 | Elbow .....                                      | 1        |
| 4    | 704-127  | Retaining clip .....                             | 1        |
| 5    | 700-1023 | Siphon hose<br>(includes items 2-4, and 7) ..... | 1        |
| 6    | 755-135  | Clip .....                                       | 1        |
| 7    | 700-805  | Inlet screen .....                               | 1        |

## Electrical Schematic



**NOTE: All electrical work should be performed by an authorized service center.**