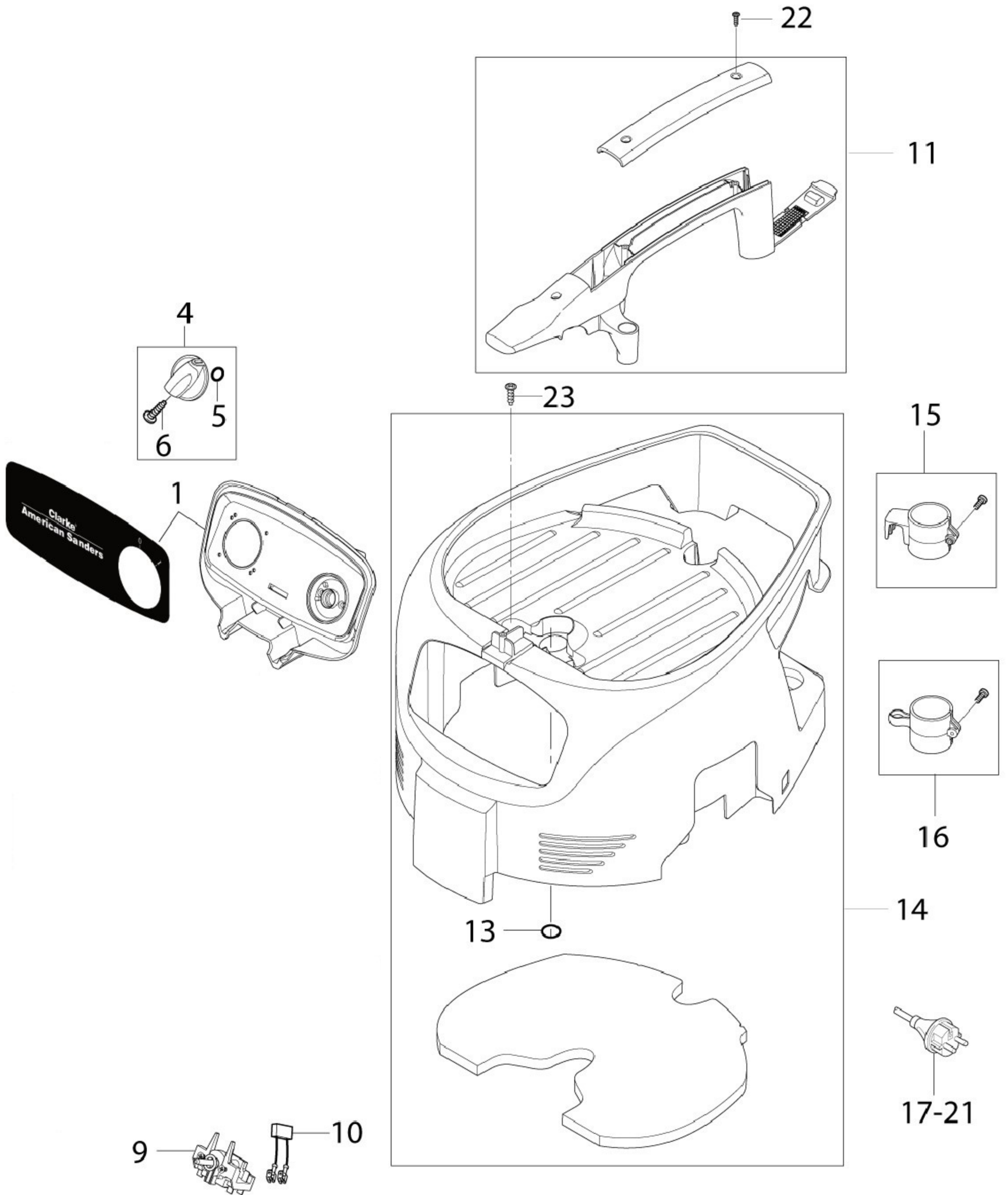


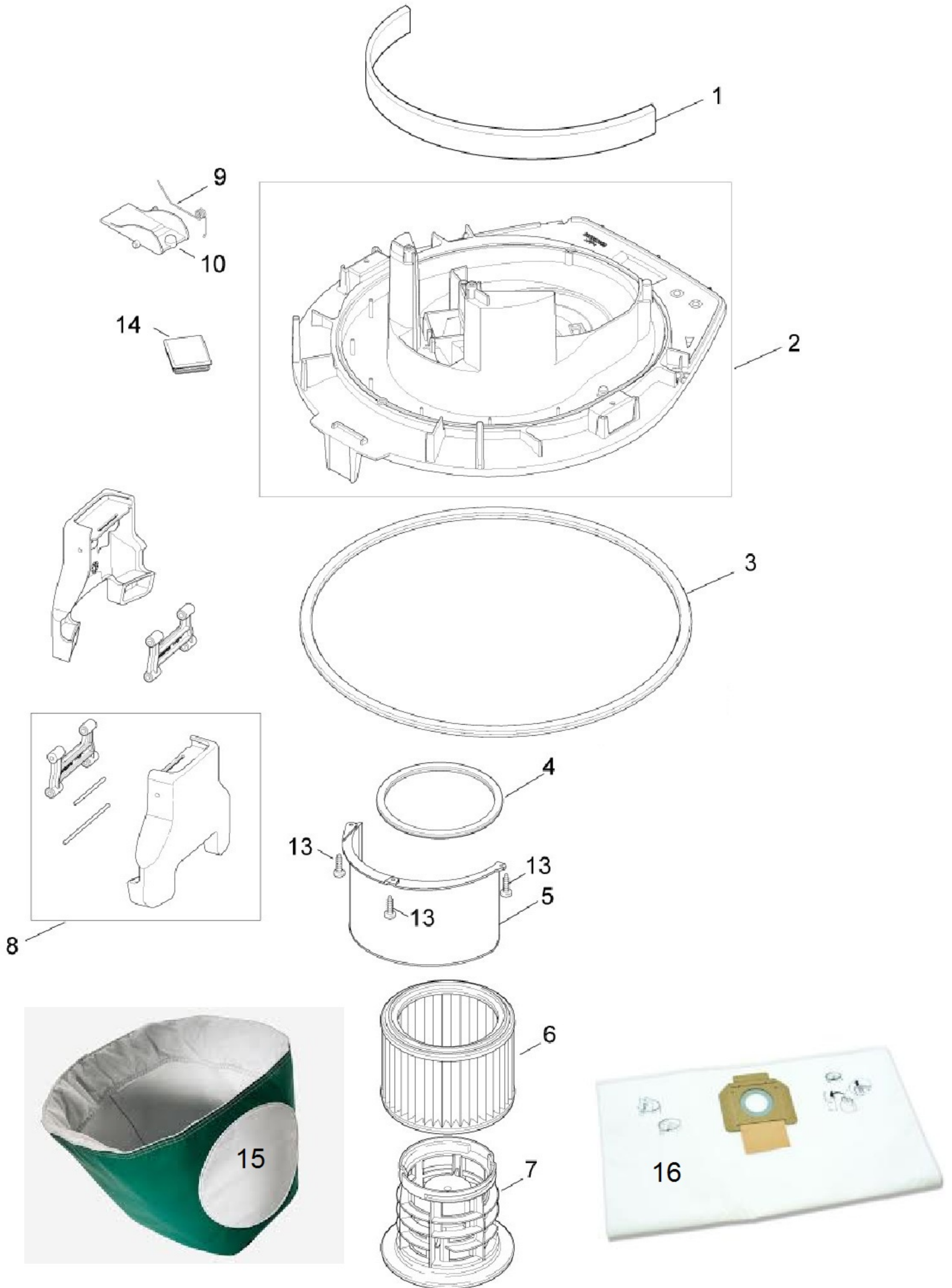
Drawing : Cabinet



Partlist : Cabinet

Pos. no.	Qty.	Item no.	Item Text
1	1	107400503	SWITCHBOX CAV 01PC
10	1	48338	ANTI-INTERFERENCE CAPACITOR
11	1	107400062	HANDLE FOR PUSH CLEAN
11	1	302004050	HANDLE
12	1	107400502	
13	1	302004061	O-RING 25X2 NBR 70
14	1	107400061	COVER BLACK XC BASIC
14	1	302004046	COVER BLACK PC
15	1	302004027	TUBE HOLDER HOOK
16	1	107400064	TUBE HOLDER SNAP
17	1	302000882	POWER CORD SJTW-AWG16/3X8
18	1	26289	
19	1	302004032	SCREW 3.5X18
20	1	302004029	SCREW 5X18
4	1	909100231	TURNING KNOB GR.1 6X5 PP GREY
5	1	9868	O RING DIA10X2,5
6	1	32526	SHEET METAL SCREW
9	1	302004035	ON-OFF SWITCH
22 & 23	1		SCREWS NOT WORTH MENTIONING

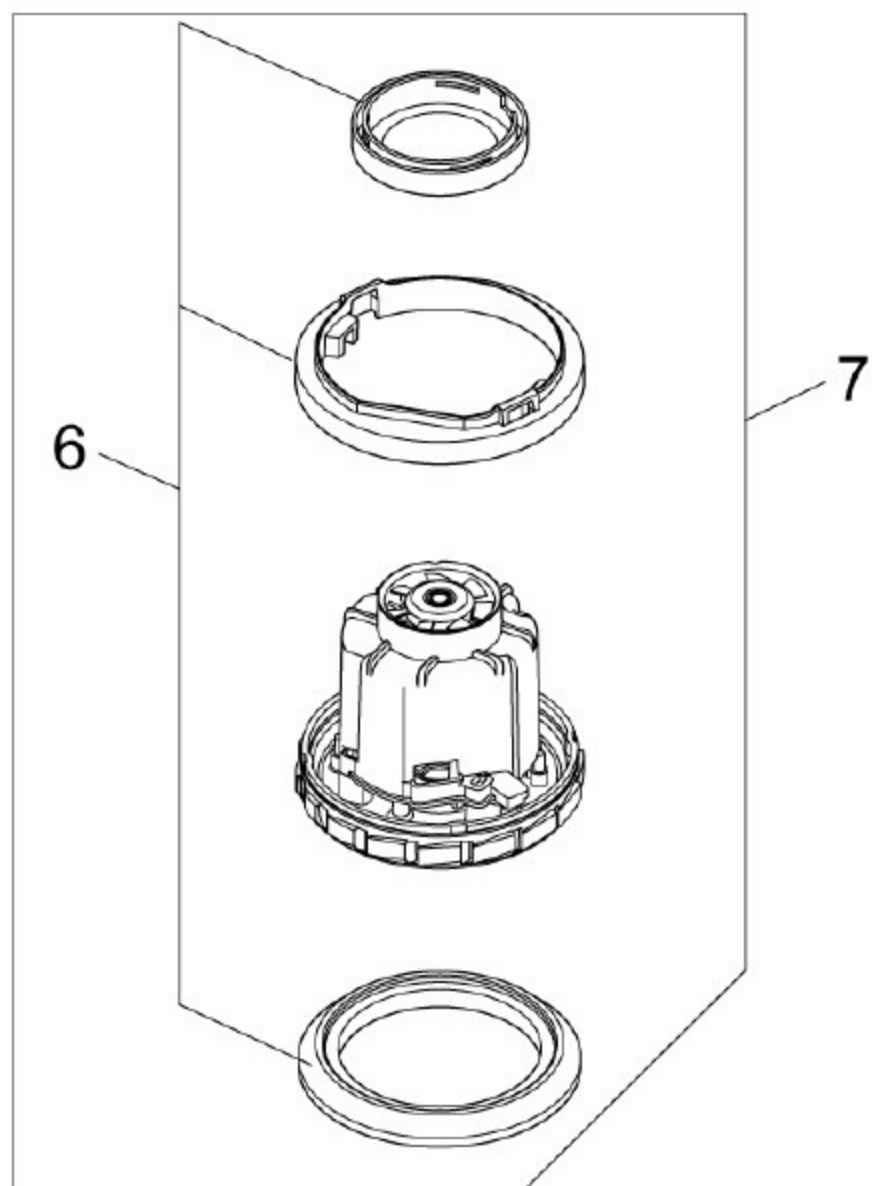
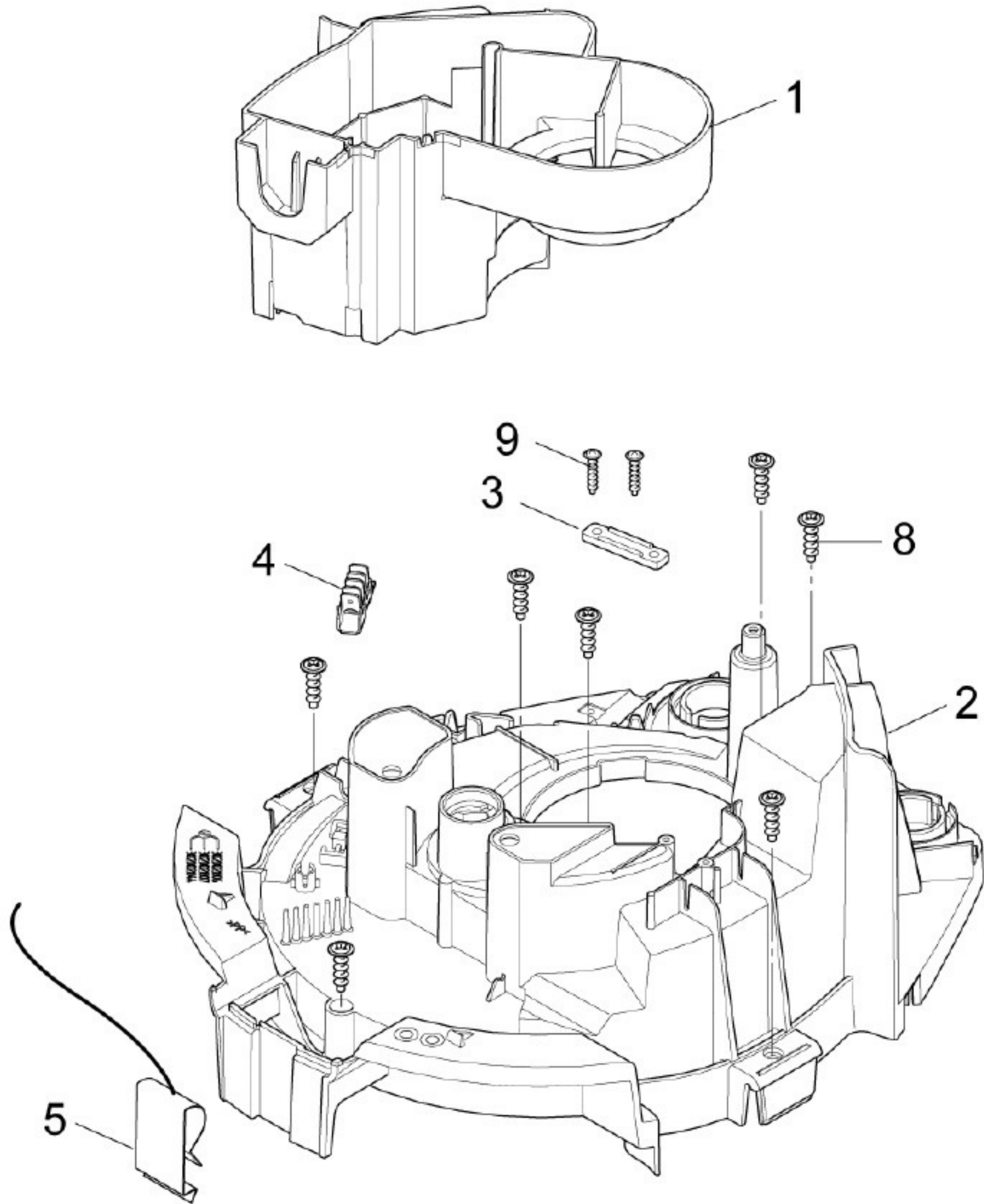
Drawing : Filtersystem



Partlist : Filtersystem

Pos. no.	Qty.	Item no.	Item Text
1	1	302004010	SOUND INSULATION FRONT
10	1	302000344	FLAP 79X53X25 ATTIX 3
13	1	302004029	SCREW 5X18
14	1	302004058	PLUG FOR BASIC
2	1	302004007	BASEPLATE PC
3	1	302004008	GASKET FOR CONTAINER
4	1	302000460	GASKET FILTER
5	1	302004016	DEFLECTOR
6	1	302000490	FILTER ELEMENT LD185X19
6	1	302001095	FILTER ELEMENT 185X140
7	1	302000472	FILTER SUPPORT CAGE ATTIX PP
8	2	302004005	CONTAINER CLAMP
9	1	909100083	TORSION SPRING D0.9X18X45 INOX
15	1	302000606	OPTIONAL WASHABLE FILTER CLOTH
16	1	107401896	12 GALLON DISPOSABLE FLEECE BAG

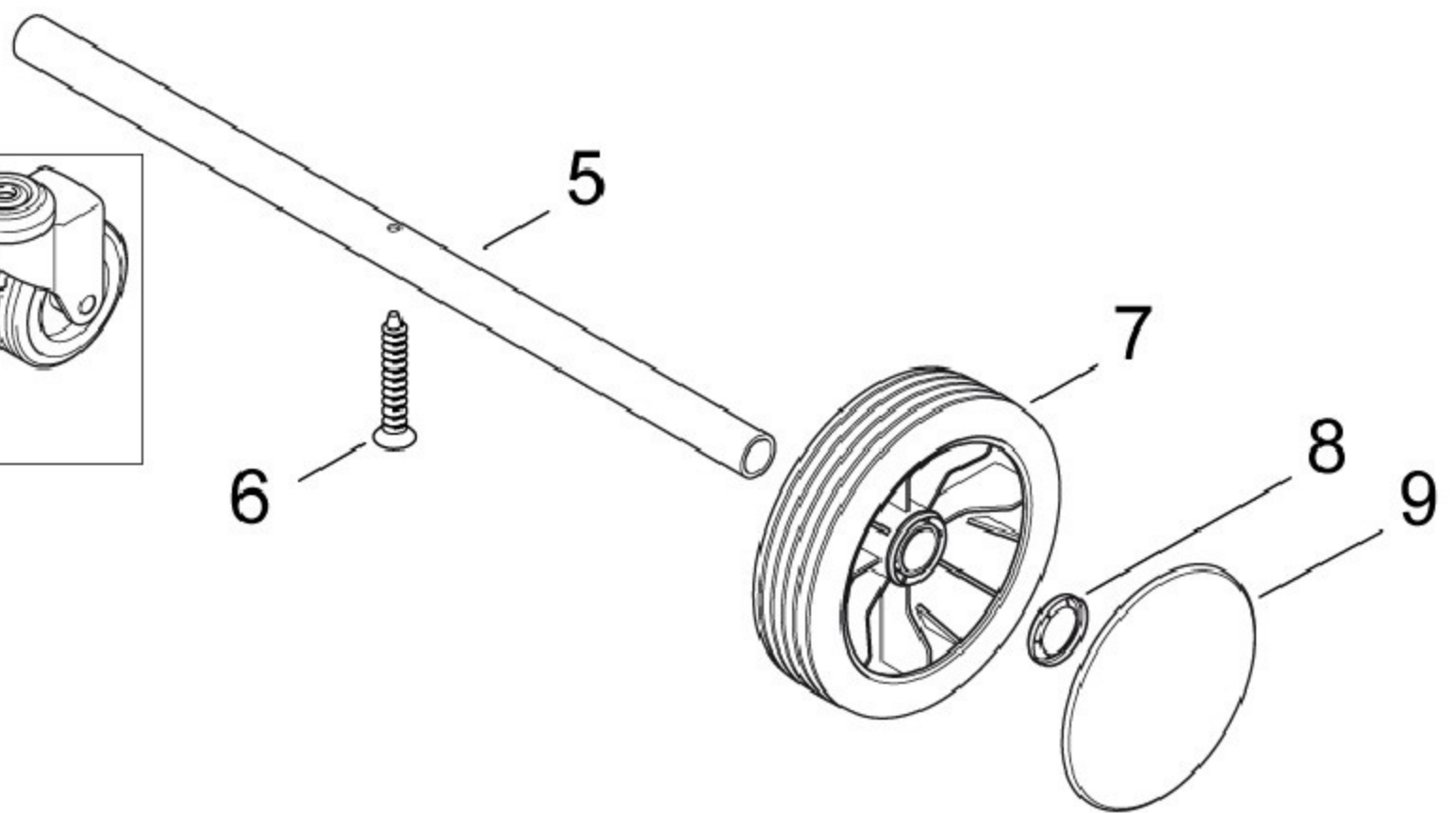
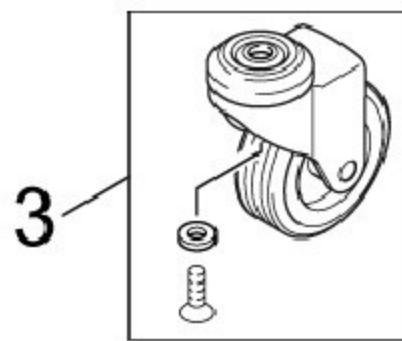
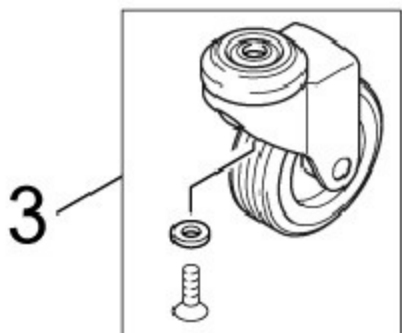
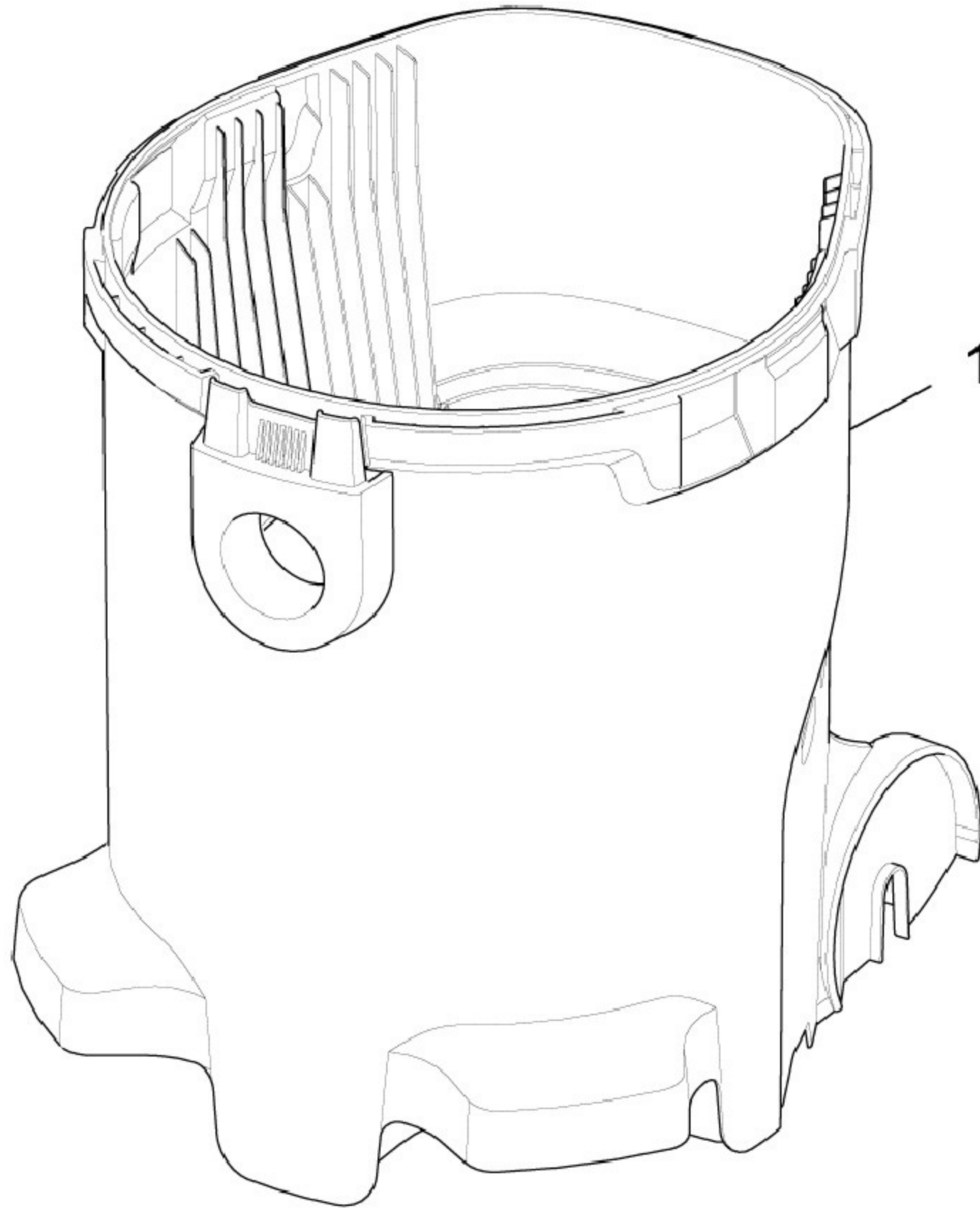
Drawing : Motor



Partlist : Motor

Pos. no.	Qty.	Item no.	Item Text
1	1	302004015	AIRGUIDE
10	1	302004045	SOUND INSULATION OUTLET
2	1	302004009	CLAMPINGPLATE PC
3	1	302004030	STRAP FOR CABLE
4	1	302004031	DISTRIBUTION STRIP 6-POL 16A
5	1	302004023	CONTACT SPRING
6	1	302003385	SEALING KIT R
7	1	107400130	TURBINE KIT 1000W 110-120V
8	1	302004029	SCREW 5X18
9	1	302004032	SCREW 3.5X18

Drawing : Container



Partlist : Container

Pos. no.	Qty.	Item no.	Item Text
1	1	107400507	TANK
3	2	302004059	FRONT WHEEL FOR CONTAINER
5	1	302004022	WHEEL AXLE
6	1	107400063	SCREW 5X35
7	2	302000639	WHEEL Ø150X20, BLACK
8	2	47302	CLAMPING RING Ø28,6/Ø20X
9	2	302001322	HUB CAP