

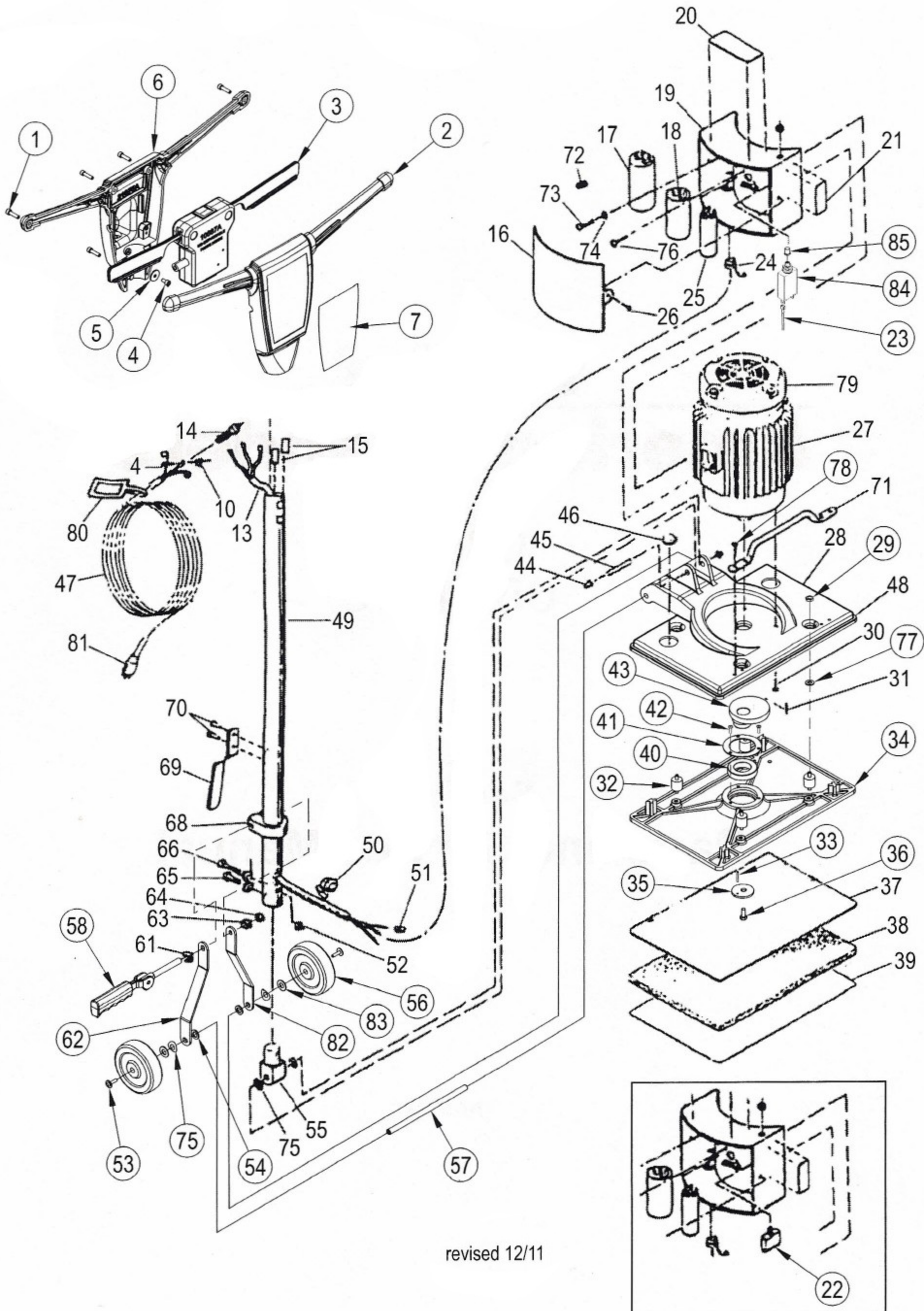
Clarke[®]

American Sanders[®]

OBS-18
OBS-18DC

Parts Manual

DELTAQUIP
www.deltaquip.ca (604) 298-8996 SUPPLIES LTD.



Item	Ref. No.	Qty	Description	Item	Ref. No.	Qty	Description
1	80284A	6	Screw, 10-32 x $\frac{3}{4}$, Pan	44	920346	2	Palnut, $\frac{1}{2}$ "
2	21074A	1	Handle, Front	45	67474A	1	Shaft, Handle
3	10687A	1	Interlock, Asm.	46	39734A	1	Plug
4	80290A	2	Screw, 10-32 x $\frac{3}{8}$	47			See Table 1 below
5	80291A	1	Washer, #10	48	31224B	1	Bumper
6	21075A	1	Handle, Rear	49	61825A	1	Tube, Handle
7	71126A	1	Decal, OBS18 Handle	50	627561	1	Bushing, Strain Relief
10	920722	8	Nut, 10-32 ESNA	51	170667	3	Nut, Wire
[12]	170686	1	Lock Nut	52	920110	1	Nut, $\frac{5}{16}$ -18 ESNA
13	40522A	1	Cord, Interconnect	53	80292A	2	Screw-Button Head NOTE 2
	10250A	1	Cord, Interconnect (230V)	54	980215	2	Washer, $\frac{1}{2}$ Nylon
14	50797A	1	Strain Relief	55	509240	1	Tongue
	58013A	1	Strain Relief (230V)	56	39857A	2	Wheel 5 Polisher NOTE 2
15	50930A	1	Cord, Retainer	57	56381768	1	Shaft-Axle NOTE 2
16	62667A	1	Cover, Enclosure	58	56109699	1	Cam Assy With Grip NOTE 1
17	41312A	1	Capacitor, Start (115V)	61	980349	1	Washer, Wear
	41314A	1	Capacitor, Start (230V)	62	56381766	1	Link-Arm Right NOTE 2
18	41311A	1	Capacitor, Run (115V)	63	980645	1	Washer, $\frac{3}{8}$ Plain
	41313A	1	Capacitor, Run (230V)	64	920248	1	Nut, $\frac{3}{8}$ -16 ESNA
19	22906A	1	Enclosure, Motor Starter	65	85812A	1	Screw, $\frac{5}{16}$ -18 x $\frac{7}{8}$
20	77195A	1	Label, Sanding Warning	66	85817A	1	Screw, $\frac{5}{16}$ -18 x 2
21	77234A	1	Label, Heavy Object	[67]	980652	2	Washer, $\frac{5}{16}$ Lock
22	41419A	1	Circuit Breaker (115V) NOTE 4	68	442001	1	Clamp, Handle
	41418B	1	Circuit Breaker (230V)	69	64325A	1	Cord Hook
23	47709A	1	Terminal, $\frac{1}{4}$ QD	70	930005	2	Rivet
24	51523A	1	Strain Relief	71	54930A	1	Handle, Lift
25			Switch, Start See TABLE 2 below	72	170667	1	Connector
26	962727	2	Screw, 8-32 x $\frac{1}{2}$	73	85833A	1	Screw, 10-32 x $\frac{3}{8}$
27			Motor See TABLE 2 below	74	980603	1	Washer #10 Ext
28	25908A	1	Mainframe	75	80295A	4	Washer, Bowed .516ld x 1.060D
29	81220A	4	Nut, $\frac{1}{4}$ -20 Strd. Flange	76	962822	2	Screw, $\frac{1}{4}$ -20 x $\frac{5}{8}$
30	86110A	4	Screw $\frac{3}{8}$ -16 x 1	77	980614	4	Washer $\frac{1}{4}$ EXT
31	915044	1	Key, $\frac{3}{16}$ x 1	78	84233A	4	Screw, $\frac{1}{4}$ -20 x $\frac{3}{4}$ FT
32	10666A	1	Kit, Spring Mount	79	50275A	1	Fan Cover OBS18
33	925589	1	Pin $\frac{1}{8}$ x $\frac{1}{2}$ Roll	80	70175A	1	Tag, Warning
34	20901A	1	Rigid Pad Driver	81	911248	1	Plug NEMA 5-15P
35	66982A	1	Retainer, Eccentric		40023A	1	Plug AU 1-10P
36	85718A	1	Screw, $\frac{1}{2}$ -13 x $\frac{3}{4}$		45609A	1	Plug UK 1-13P
37	32519A	1	Grip Face		40073A	1	Plug, Schuko
38	NOR1218TKWE	1	Pads Red 12x18	81	40723A	1	Plug IEC 309
39	-----		Abrasive (sanding only)	82	56381767	1	Link-Arm Left NOTE 2
40	50736A	1	Bearing	83	980648	2	Wash-17/32 Id X 1&1/16 Od Pln NOTE 2
41	66981A	1	Retainer, Bearing	[]	56380639	1	Decal-Prop 65
42	87700A	5	Screw, $\frac{1}{4}$ -20 x $\frac{1}{2}$	[]	56380336	1	Seal-Dust Pipe
43	62814A	1	Eccentric	84	56454538	1	Circuit Breaker 15A NOTE 5
				85	56459367	1	Boot Reset Button NOTE 5

[] = Not Shown

NOTE 1: 56109699 replaces the following three parts: 925592, 461404, 441301.

NOTE 2: Lower Link Arm 61831A is no longer used in production. Items 53, 56, 57, 62, 82 & 83 have replaced the old configuration as of March 2011.

NOTE 3: 56380336 is used on models 07081B and 07115A

NOTE 4: Used on machines before November 2011.

NOTE 5: Used on machines after October 2011.

TABLE 1

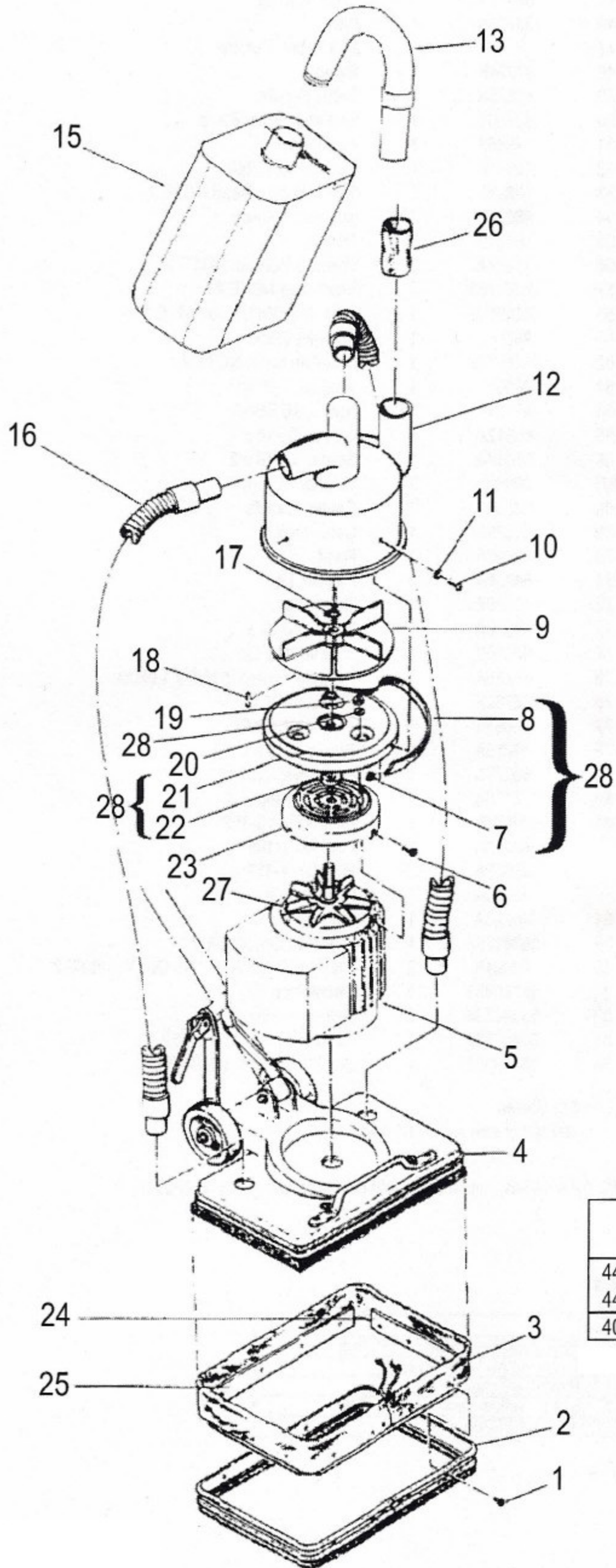
Electrical System	Part No.	Specification
115V~60Hz	50991A	50' 14- S0 Gray Rubber Jacket w/NEMA 5-15P Plug
115V~50 Hz	40752A	15m HO7RN 3G1.5 mm ² w/IEC309 Plug

TABLE 2

Motor #27	Start Switch #25
44667A - Imperial (115V, 60 Hz)	56380670
44667A - Baldor (115V, 60 Hz)	40160A
40754A (115V, 50 Hz)	47378A

revised 3/12

OBS-18DC



Item	Ref. No.	Qty	Description
1	930124	16	Rivet $\frac{3}{16} \times \frac{19}{32}$
2	38239A	1	Skirt, OBS-18 TSB CAS2010-04
3	38015A	1	Shroud, Housing
4	25908A	1	Mainframe
5	44671A	1	Motor-1HP TFFC 115V/60Hz
	40753A	1	Motor-1HP 115V/50Hz
			See Table 1 below for motor parts
6	87700A	3	Screw, $\frac{1}{4}$ -20 x $\frac{1}{2}$
7	Ref.*	4	Insert, Threaded, 10-32UNF
8	Ref.*	1	Gasket, Cover
9	54765A	1	Fan
10	85383A	4	Screw, 10-32 x $\frac{3}{4}$
11	980982	4	Washer, #10 Plain
12	35242A	1	Housing, Blower
13	61833A	1	Elbow, Dust
15	Ref.		Bag Dust (See Accessories)
16	30407B	2	Hose
17	797301	2	Ring, Retaining $\frac{5}{8}$ Ext
18	915044	1	Key, $\frac{3}{16}$ Sq. x 1
19	81217A	3	Nut, $\frac{1}{4}$ -20
20	980646	3	Washer, $\frac{1}{4}$ Plain
21	Ref.*	1	Cover, Blower Housing
22	Ref.*	1	Washer, Felt $\frac{1}{2} \times \frac{1}{4} \times \frac{1}{4}$
23	50275A	1	Fan Cover (OBS-18DC)
24	68806A	2	Weight, Skirt 10 $\frac{3}{4}$
25	68807A	2	Weight, Skirt 17
26	56380336	1	Seal-Dust Pipe
27	40545A	1	Motor Fan
28	10478A	1	Asm., Blower Housing Cover
			*(includes 7, 8, 21 & 22)
NI	30563A		Adapter, 2" to 1 $\frac{1}{2}$ "
			Accessories
	53741A		Cloth Dust Bag

TABLE 1

Motor #5	Start Switch	Start Capacitor	Run Capacitor
44671A - Imperial (115V, 60 Hz)	56380670	41312A	41311A
44671A - Baldor (115V, 60 Hz)	40160A	41312A	41311A
40753A (115V, 50 Hz)	47378A	41314A	41313A