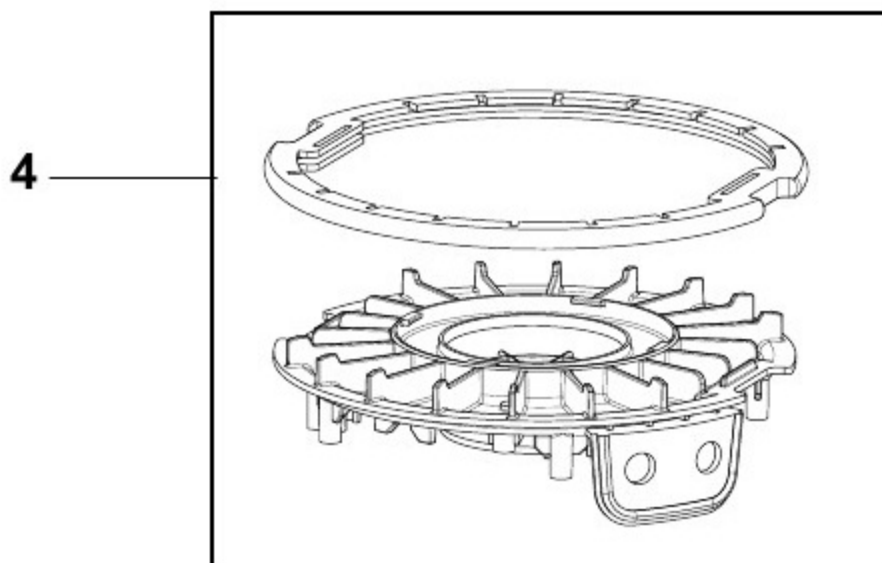
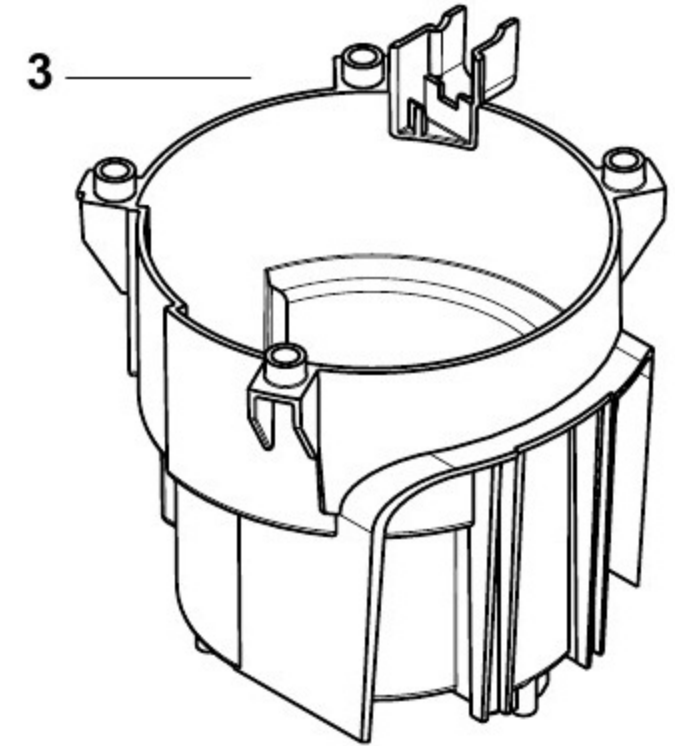
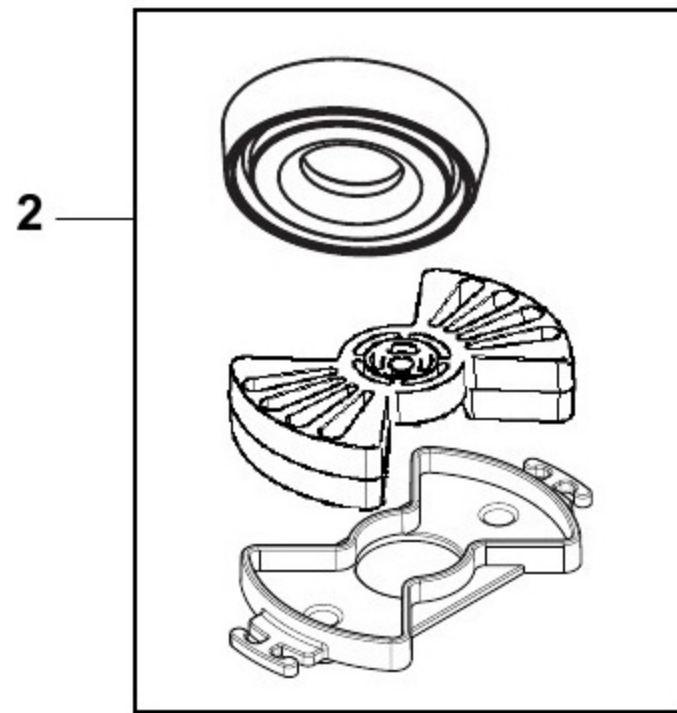
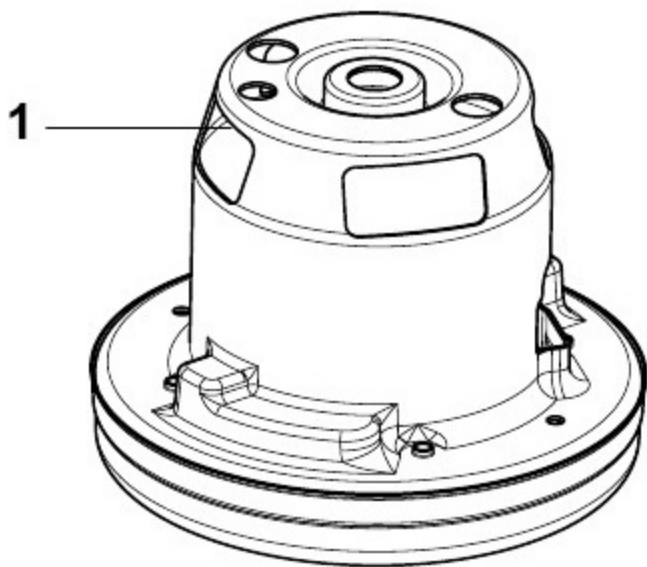
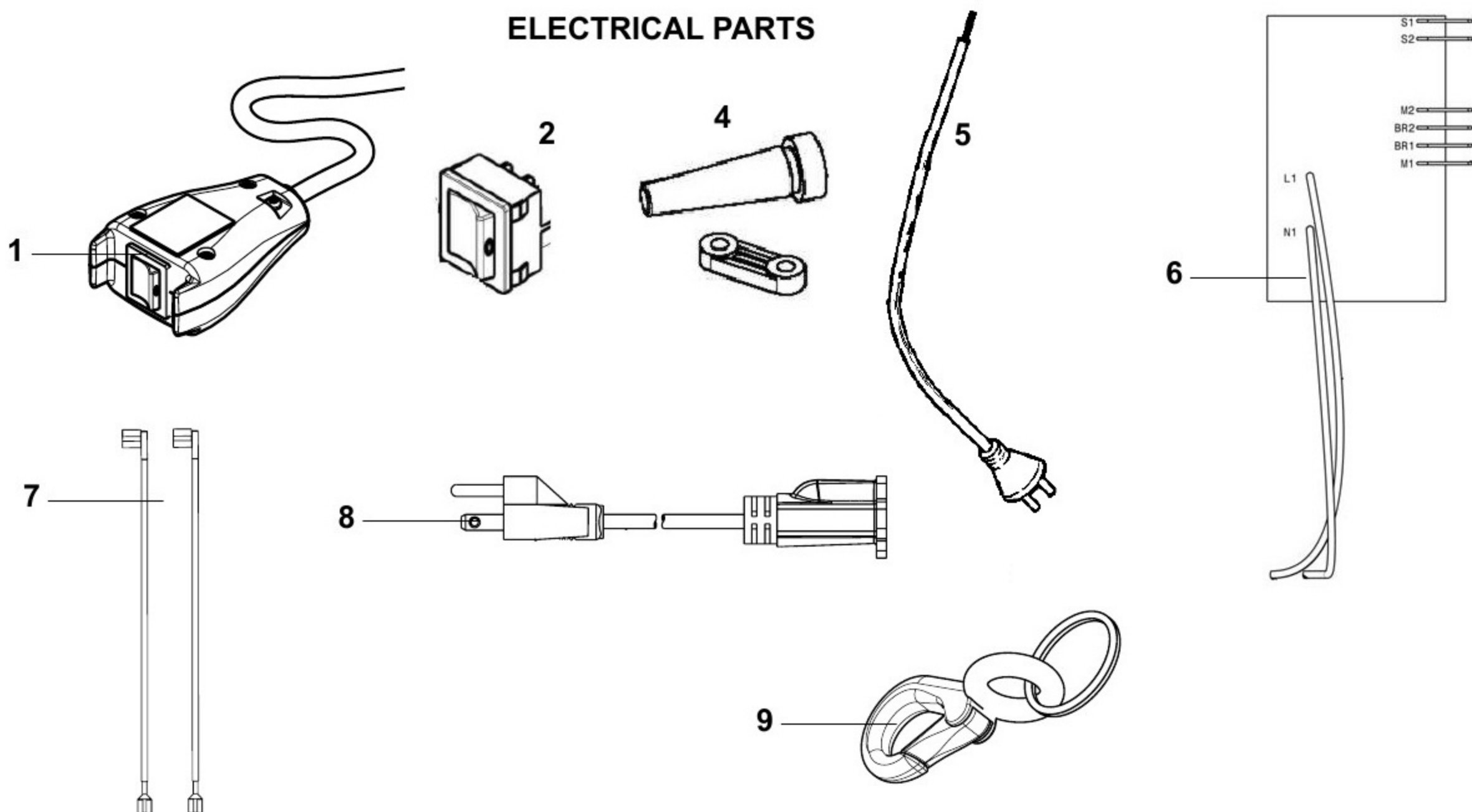


<u>DESCRIPTION</u>	<u>PAGE</u>
Motor and motor parts	1
Electrical parts	2
Container parts	3
Straps	4
Filters	5
Tube 1.5 Inch, 38 mm and Tools	6
Wiring diagram	6



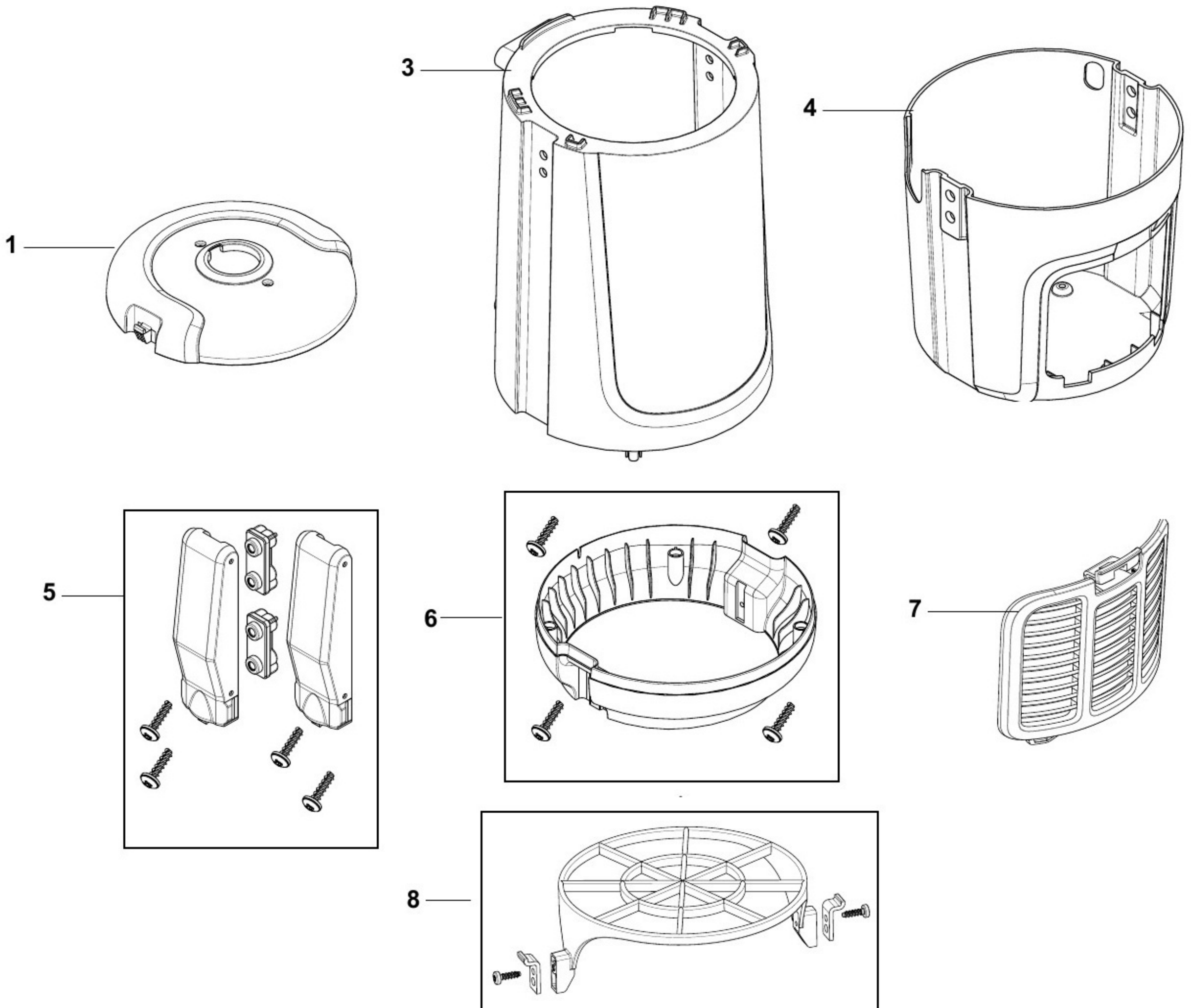
<u>Item</u>	<u>Part No.</u>	<u>Qty.</u>	<u>Description</u>
1	147 1109 500	1	Fan unit 100 -120V, 1300W
2	147 1111 500	1	Motor suspension kit
3	147 1088 510	1	Motor cover, UL-approved
4	147 1086 510	1	Chassis, UL-approved

ELECTRICAL PARTS



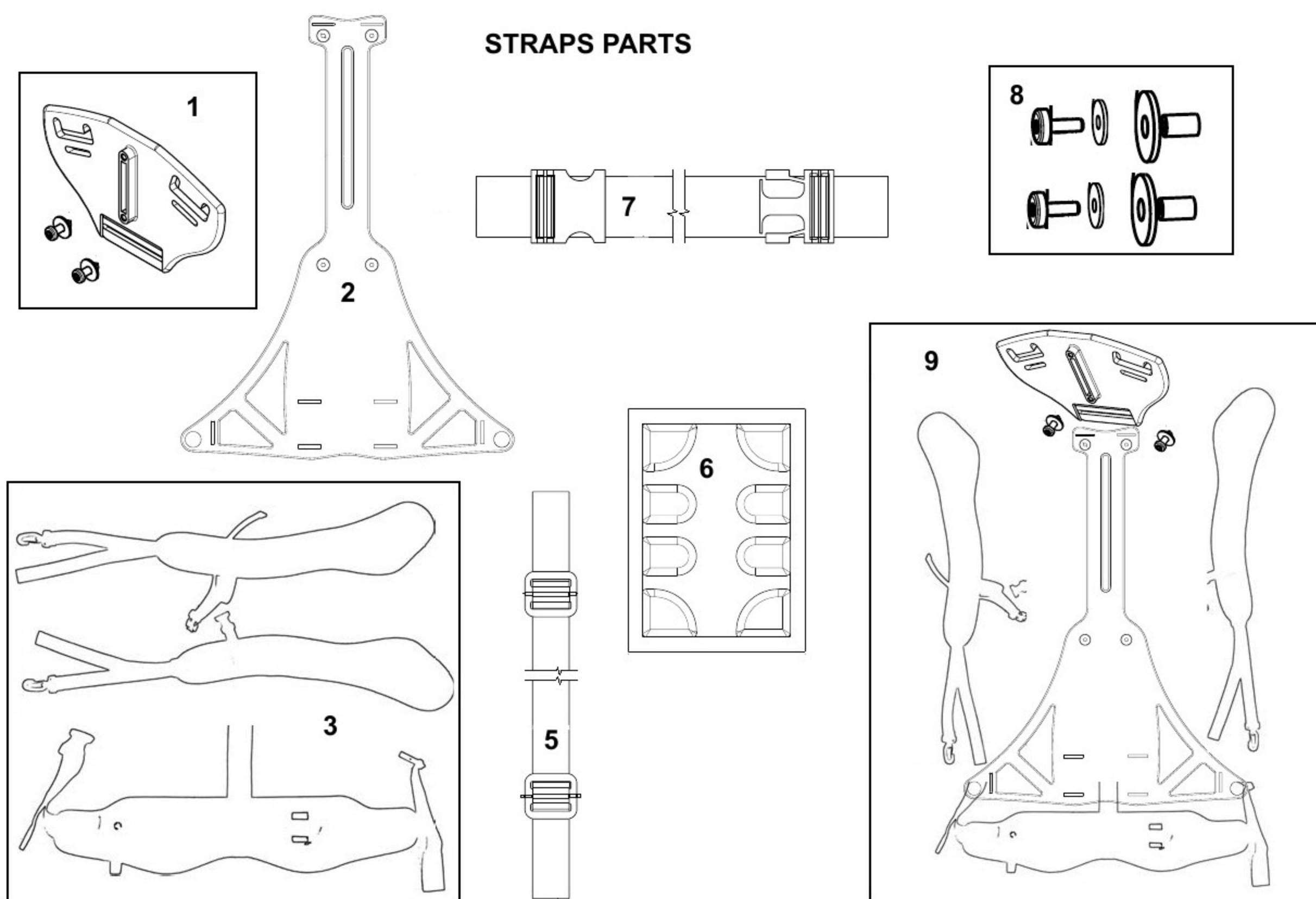
Item	Part No.	Qty.	Description	Note
1	147 1105 500	1	Switch cpl.	
2	140 5496 510	1	Switch	
4	140 7035 510	1	Sleeve kit	Anti strain clip incl.
5	140 3859 500	1	Cord set US/TW plug, machine end	1.3 ft (400 mm)
6	147 1231 520	1	Curcuit board 100-120V	
7	140 7042 520	1	Internal wire kit	2 Wires incl.
8	147 1243 500	1	Cord extension	50 ft (15.5 m) Colour: Yellow. 16 AWG
9	147 1346 500	1	Anti strain snap hook	

CONTAINER PARTS



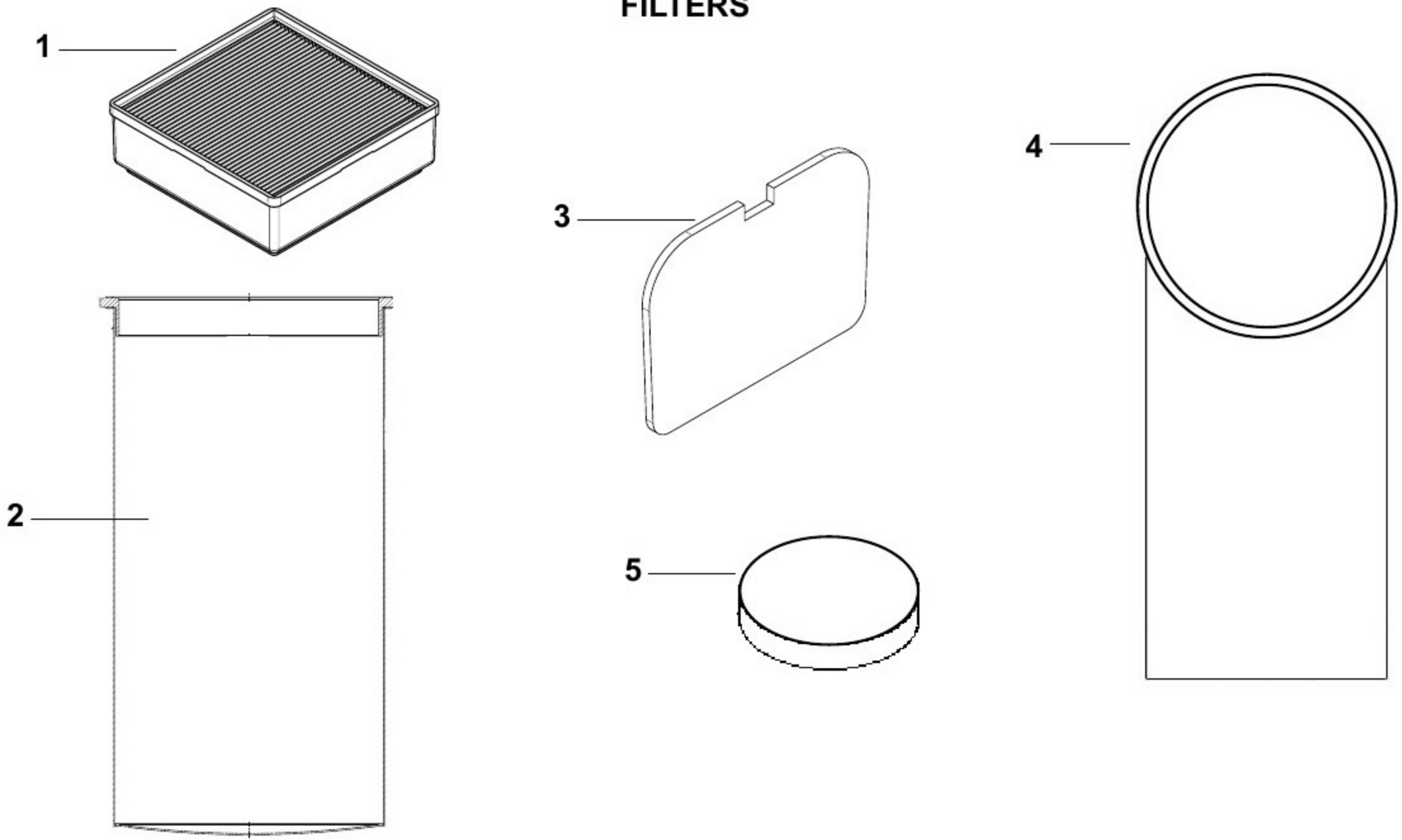
Item	Part No.	Qty.	Description	Note
1	147 1080 500	1	Outer lid	Grey
3	147 1079 510	1	Container	Grey
4	147 1075 520	1	Cover outer	
5	147 1101 500	1	Latch kit	2 latches, screws and screw towers.
6	147 1078 500	1	Adapter	Screws incl.
7	147 1082 500	1	Grid exhaust	
8	147 1115 500	1	Basket sack filter	Hooks and screws incl.

STRAPS PARTS



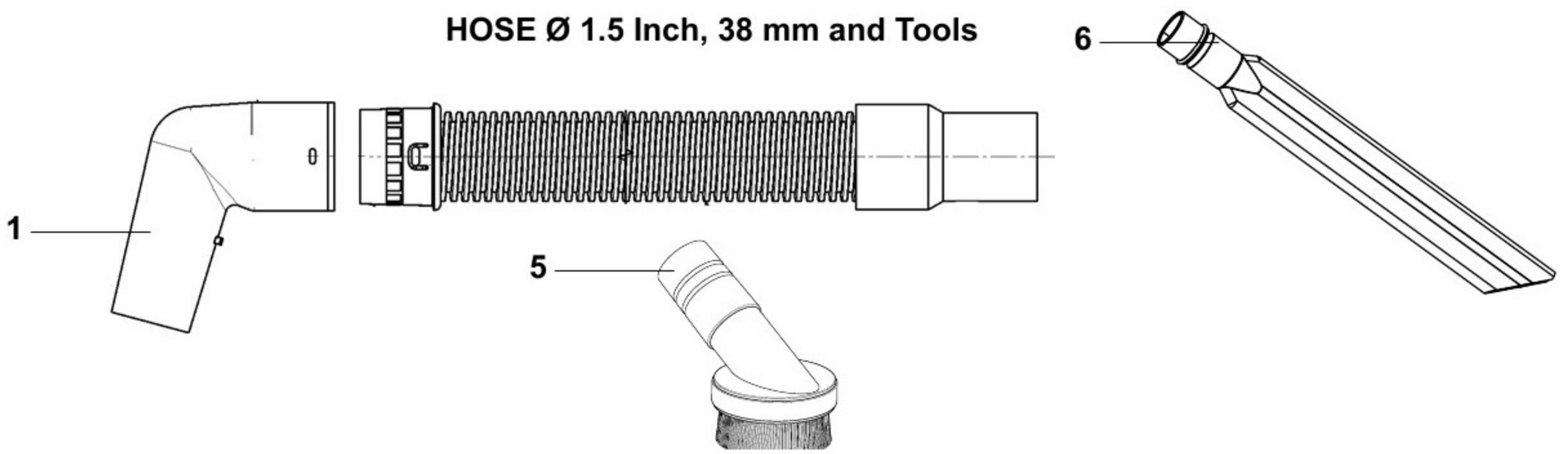
Item	Part No.	Qty.	Description	Note
1	147 1092 500	1	Adjusting plate	
2	147 1091 500	1	Harness support	
3	147 1246 500	1	Harness premium	Screws and washers incl.
5	147 1247 500	1	Lifting strap	
6	147 1248 500	1	Padding, back plate	
7	147 1249 500	1	Extension belt	L=400 mm
8	147 1246 600	1	Screw kit	For harness premium
9	147 1246 510	1	Harness premium cpl.	W. adjusting plate and support.

FILTERS



Item	Part No.	Qty.	Description	Note
1	147 1104 500	1	HEPA-filter cpl.	
2	147 1099 500	1	Sack filter	
3	147 1089 500	1	Exhaust filter	3 pcs.
4	147 1097 500	1	Dustbag (2.6 Gallon, 10 L)	5 pcs.
5	147 1095 500	1	Prefilter	3 psc.

HOSE Ø 1.5 Inch, 38 mm and Tools



Item	Part No.	Qty.	Description	Note
1	147 1237 510	1	Hose cpl. 64 in. (1650 mm)	
2	147 1385 500	1	Dust tool.	
3	147 1386 500	1	Crevice tool.	

Wiring diagram - Grounded

