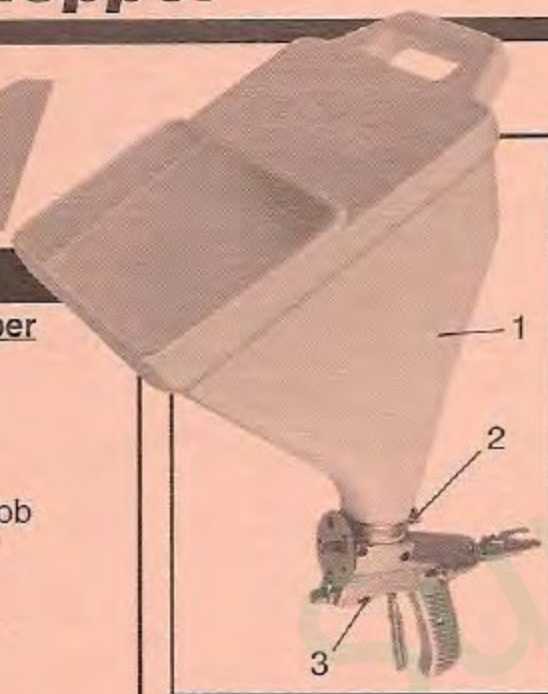


# Super-Pro® Gun & Hopper

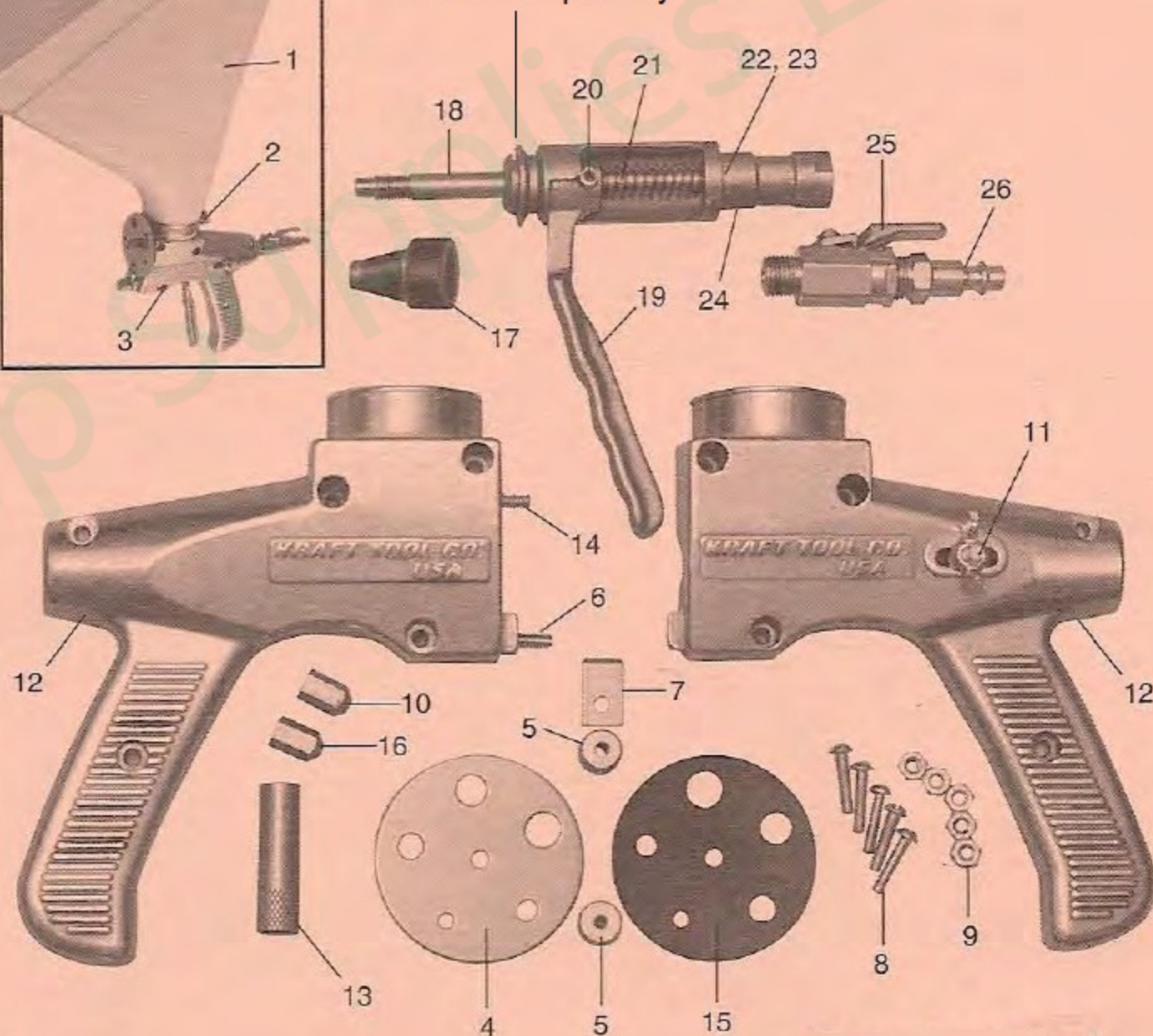
# Parts List

## PC301

Item	Part No.	Qty.	Description
—	PC301	1	<b>Super-Pro® Gun &amp; Hopper</b>
1	PC559W	1	Hopper
2	PC560	1	Clamp
3	PC306	1	<b>Gun (Only)</b>
4	PC533	1	Orifice Plate
5	PC308	2	Brass Knurled Knob
6	PC541	1	Orifice Screw 3/4"
7	PC542	1	Orifice Clamp
8	PC580	5	8-32 x 3/4" Screw
9	PC581	5	8-32 Hex Nut
10	PC549	1	Air Tip 3/32"
11	PC550	1	Stop Lock
12	PC554	Pr.	Handle Castings (2)
13	PC556	1	Socket Tool
14	PC557	1	Orifice Screw 1/2"
15	PC561	1	Orifice Plate Gasket
16	PC548	1	Air Tip 1/8"
17	PC540	1	Rubber Seal
18	PC547	1	Air Stem
19	PC539B	1	Trigger (Bronze)
20	PC546	1	Set Screw
21	PC537	1	Spring
22	PC552	1	Flat Washer
23	PC553	1	Rear Seal
24	PC564	1	Bearing Frame
25	PC563	1	Shut-Off Valve
26	PC555	1	Quick Disconnect



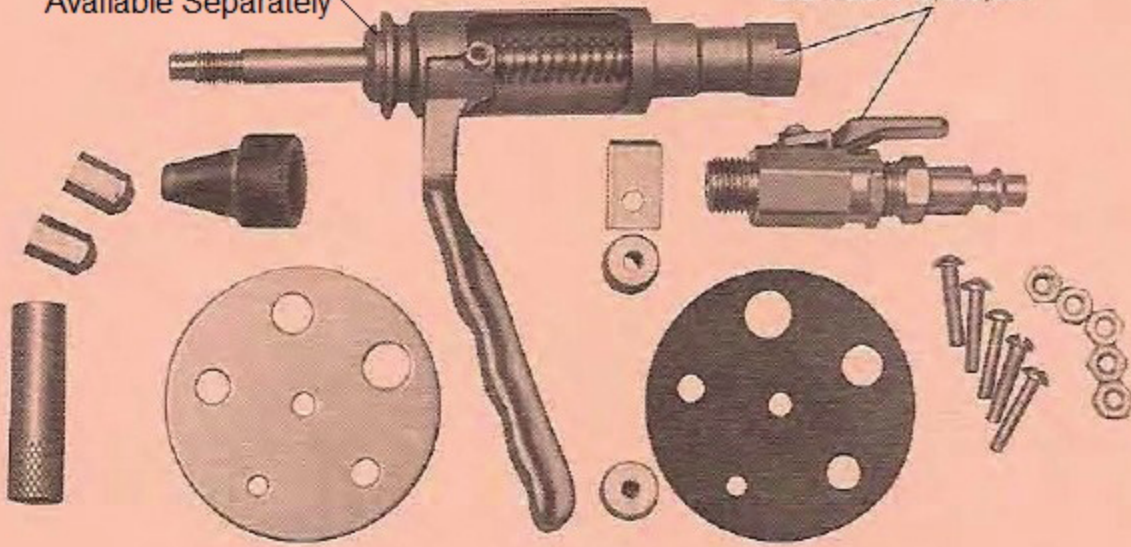
PC535 Bushing No Longer Available Separately



Super-Pro® Gun Cylinder Repair Kit #PC307  
(See back page)

PC535 Bushing No Longer Available Separately

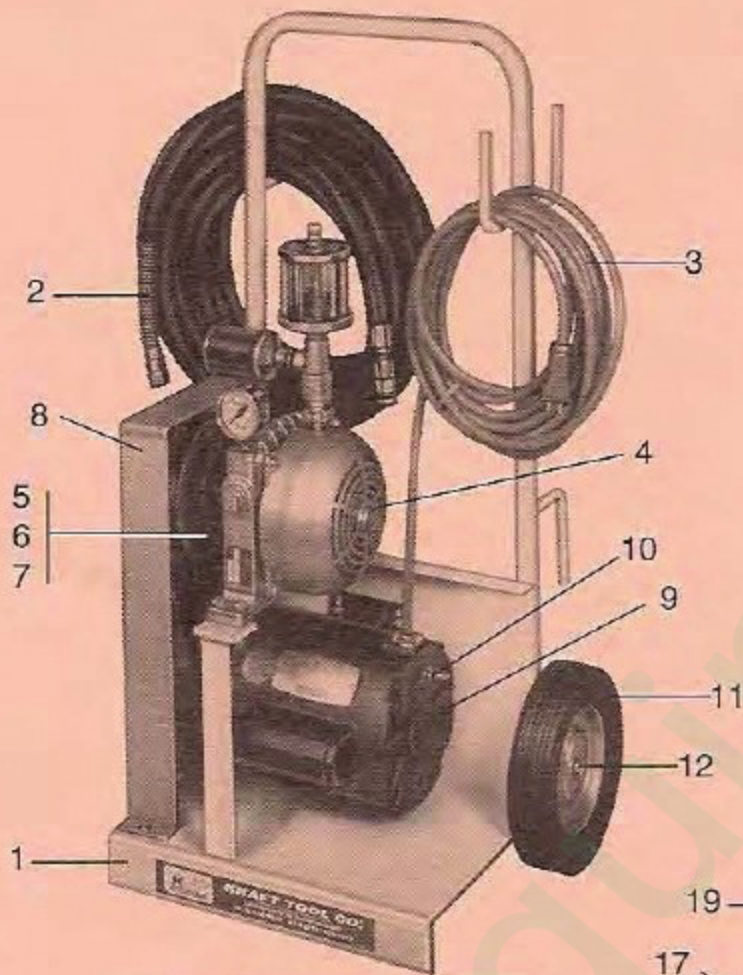
U.S. Patent #5,415,351



## Super-Pro® Gun Cylinder (PC307) Repair Kit

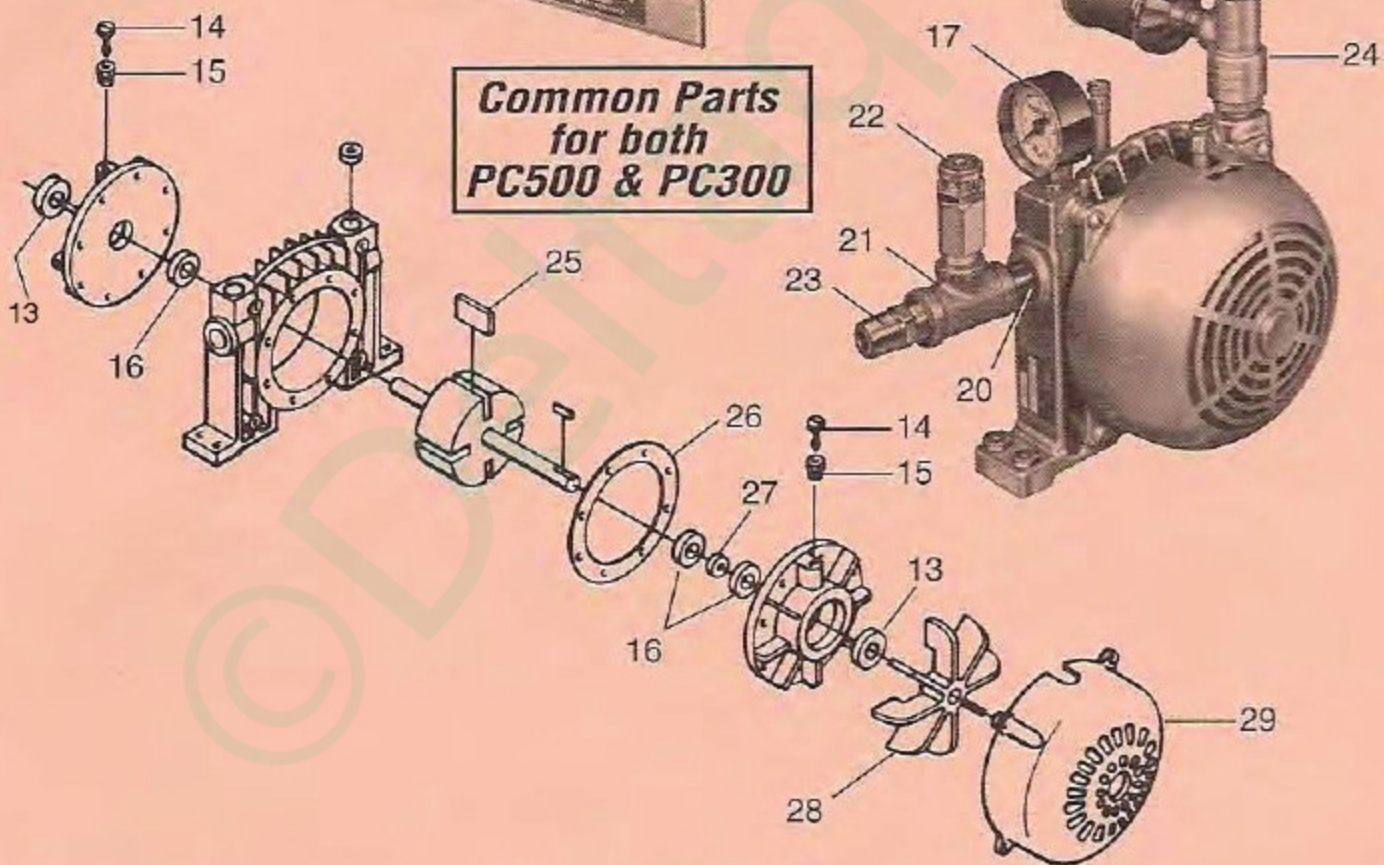
Qty	Description	Qty	Description
1	Orifice Plate	1	Air Tip 1/8"
2	Brass Knurled Knob	1	Rubber Seal
1	Orifice Screw 3/4"	1	Air Stem
1	Orifice Clamp	1	Trigger (Bronze)
5	8-32 x 3/4" Screw	1	Set Screw
5	8-32 Hex Nut	1	Spring
1	Air Tip 3/32"	1	Flat Washer
1	Stop Lock	1	Rear Seal
1	Socket Tool	1	Bearing Frame
1	Orifice Screw 1/2"	1	Shut-Off Valve
1	Orifice Plate Gasket	1	Quick Disconnect
2	Screw 1/2" old style gun		
1	Screw 3/4" old style gun		
2	Screw 1" old style gun		

## Compressor, Motor & Cart



Item	Part No.	Qty.	Description
1	PC515	1	Frame
2	PC504	1	Air Hose Assembly
-	PC519	1	Quick Disconnect Fitting
3	PC514	1	Power Cord
4	PC505	1	Compressor Assembly
5	PC521	1	Compressor Pulley
6	PC510	1	"V" Belt
7	PC520	1	Motor Pulley
8	PC512	1	Belt Guard
9	PC513	1	Motor Assembly with Switch
10	PC551	1	Motor Switch (Only)
11	PC522	2	Wheel
12	PC511	2	"C" Washer

## Compressor Assembly PC505



Common Parts for both PC500 & PC300

Item	Part No.	Qty.	Description
13	PC572	2	● Shaft Seal
14	PC528	2	Oiler Cap
15	PC571	2	Oiler Tube
16	PC573	3	● Bearing
17	PC526	1	Gauge
18	PC523	1	Oiler Assembly
-	PC575	1	● Feed Wick
-	PC566	1	Oiler Gasket
-	PC567	1	Oiler Glass
19	PC524	1	Filter Assembly
-	PC565	1	End Cap
-	PC525	1	● Filter Element
20	PC517	1	1/2" Close Nipple
21	PC516	1	1/2"x1/2"x3/8" "T"
22	PC530	1	Relief Valve
23	PC518	1	Brass Nipple
24	PC527	1	Pressure Lubricator
-	PC570	1	Lubricator Coupler
25	PC531	4	● Vanes (Set of 4)
26	PC568	1	● Body Spacer
27	PC574	1	● Bearing Spacer
28	PC529A	1	Fan
29	PC529	1	Fan Cover

● Denotes parts in Compressor Repair Kit #PC532

NOTE: (1) PC562 (45 degree elbow adaptor for gun not shown).

