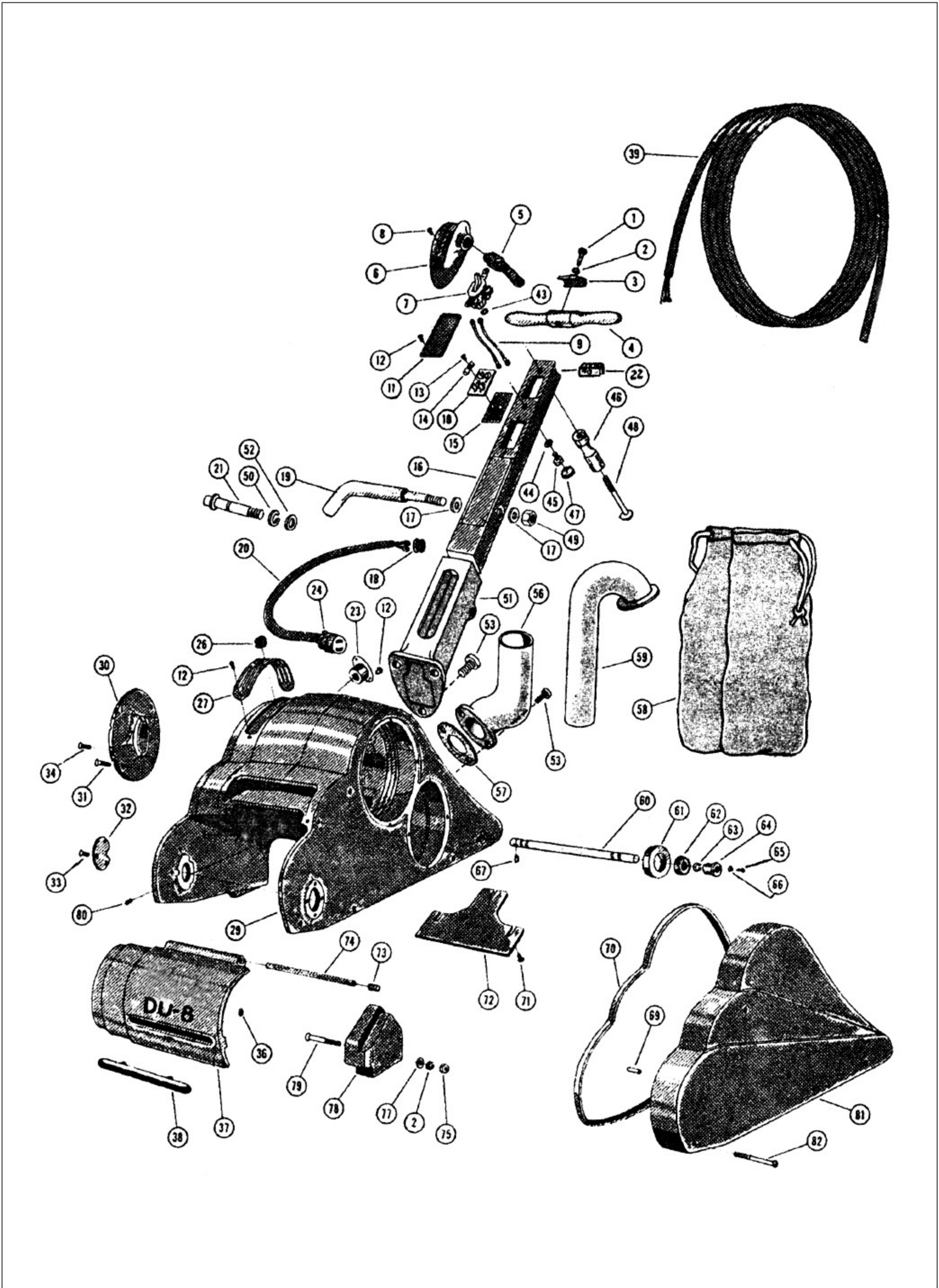
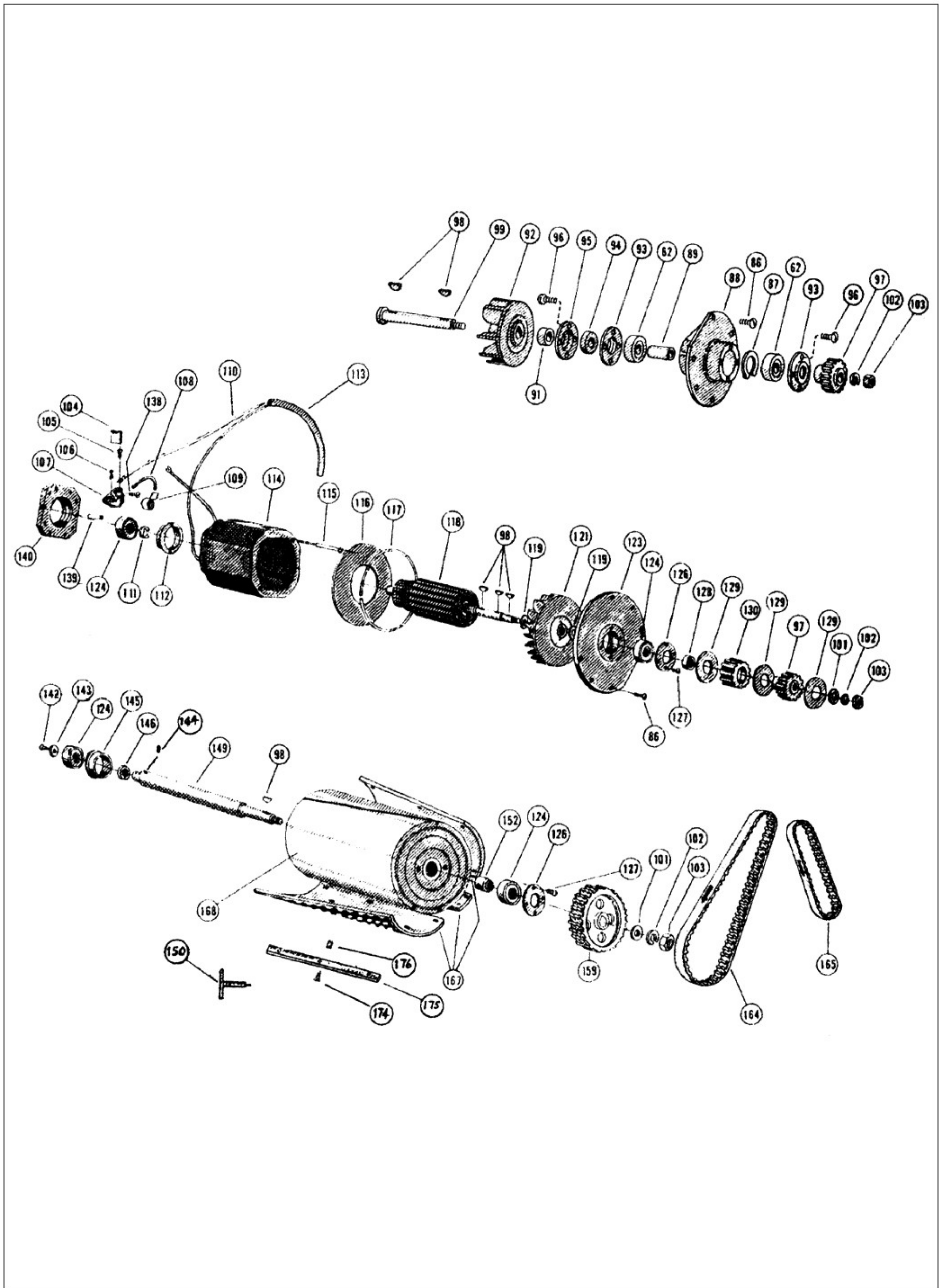


HIRETECH DU8-X FLOOR SANDER PARTS DRAWING



HIRETECH DU8-X FLOOR SANDER PARTS DRAWING



MODEL : DU8-X FLOOR SANDER

REF	PSTK	Description
001	962308	Screw
002	980652	Washer
003	162019	Clamp Handle
005	101205	Strain Relief
006	164205	Housing Switch
007	911408	Switch & Screws
008	962004	Screw
009	911720	Switch Lead
010	161304	Block Fuse
011	166502	Plate Instruct
012	962065	Screw
013	962410	Screw
014	911216	Fuse (DU8)
015	164704	Insulator Block
016	169012	Tube Handle
017	908615	Washer
018	163804	Strain Relief Handle Cable (NA)
019	164508	Hook Cable
020	100337	Cable Handle
021	960180	Clamp Handle Bracket
022	960183	Bracket Handle Cross
023	911045	Base Twist Lock
024	911046	Body Twist Lock
026	163808	Grommet
027	163604	Guard Brush (DU8)
029	163201	Main Frame
030	167804	Shield Wall End
031	962084	Screw
032	166234	Plate Drum Cover (DU8)
033	962048	Screw

034	962204	Screw
036	920156	Nut
037	163616	Guard Drum (Metal DU8)
038	161204	Bumper Drum (DU8)
039	163685	Cable Main Assembly 110 Volt (UK)
039	908285	Cable Main Assembly 240 Volt (UK)
043	980603	Washer
044	980638	Washer
045	962302	Screw
046	163906	Handle Single Grip
047	426804	Plug Blanking
048	962402	Bolt (including nut)
049	920148	Nut
050	167308	Ring Retaining
051	160815	Bracket Handle
052	980196	Washer
053	962244	Screw
056	160809	Bracket Exhaust
057	163403	Gasket Exhaust
058	163796	Bag Dust Cloth
059	163790	Tube Exhaust (Grey)
060	167708	Shaft Floor Roller
061	169704	Roller Floor Assembly (with bearing)
062	902567	Bearing (Fan & Floor Roller)
063	467308	Ring Retaining
064	160504	Adjuster Floor Roller
065	962139	Bolt
066	980646	Washer
067	962103	Screw
069	925508	Pin (DU8)
070	167604	Seal Belt Guard
071	962109	Screw
072	167902	Shoe Intake
073	168306	Spring (DU8)
074	167404	Rod Drum Guard
075	920256	Nut
077	980629	Washer
078	169504	Balance Weight
079	962409	Screw

080	962170	Screw
081	163621	Guard Belt (Red or Grey)
082	E962404	Screw
086	962109	Screw
087	167312	Ring Retaining
088	164202	Housing Fan
089	168203	Spacer Fan Bearing
091	008212	Spacer Fan
092	163004	Fan Intake
093	162021	Clamp Bearing
094	167608	Seal Fan
095	167210	Retainer Seal
096	962025	Screw
097	166906	Pulley Fan
098	915028	Key
099	167704	Shaft Fan
101	980648	Washer
102	980626	Washer
103	920132	Nut
104	010180	Brush Motor
105	962003	Screw
106	925004	Pin
107	164004	Holder Brush Motor
108	911954	Brush Shunt Assembly
109	168324	Spring Brush
110	911662	Lead Motor Assembly
111	167302	Ring Retaining
112	167208	Retainer Brush Block
113	168104	Sleeve
114	163104	Field 110/120 Volt HT8
114	163112	Field 220/240 Volt HT8
115	962401	Screw
116	166172	Baffle Motor
117	167204	Retainer Baffle
118	160408	Armature 110/120 Volt
118	160412	Armature 220/240 Volt
119	980004	Spacer
121	163008	Fan Motor
123	167802	Shield Pulley
124	902550	Bearing Drum Shaft
126	062003	Clamp Bearing

127	962345	Screw
128	168212	Spacer Motor Pulley
129	163304	Flange Pulley
130	166909	Pulley Motor
138	962407	Screw
139	925128	Pin (Discontinued)
140	163789	Brush Block Assembly
142	962411	Screw
143	162006	Clamp Bearing
144	925113	Pin Drum Shaft
145	161108	Bush Bearing
146	168206	Spacer Bearing
149	167716	Drum Shaft
150	163618	Key Paper Clamp (DU8)
152	168209	Spacer Bearing
159	166916	Pulley Drum
164	903260	"Belt Drum 3/4" (19mm) Wide"
165	903273	"Belt Fan 1/2" (13mm) Wide"
167	162312	Drum Cover Kit
168	162532	Drum Assembly Complete
174	280678	Screw (DU8)
175	162007	Clamp Paper (Three Screw Type)
176	164607	Insert Drum Kit